

LIGHTING SOLUTIONS





Content

PROJECT EXAMPLES

10-15

SCORPIUS Dot Led
ESL-30
Volans

ARMAGEDDON

16-19

ARMAGEDDON

STREET LIGHTS

20-27

APUS

PROJECTORS

28-53

ESL-10
ESL-20
ESL-25
ESL-30
MOSOTUNYA
MINI GOBO
GOBO
BIG GOBO

FACADE LIGHTINGS

54-65

VOLANS v1
VOLANS v2
SCORPIUS Dot Led

SOLAR LIGHTINGS

66-81

EWL-04-2
EWL-04-4
EWL-04-5
EWL-04-6
EWL-05-2
EWL-05
GEKTOR 24V ~ GEKTOR 220V



Content

AREA LIGHTINGS

82-87

MINI UFLED
UFLED

MILITARY LIGHTINGS

88-97

VALHALLA
GOLYAT
GÖKBÖRÜ
ÖTÜKEN

FLASH LIGHTS

98-115

ELF-003
ELF-004
ELF-05-1, 2, 3
ELF-07
ELF-08
ELF-09
ELF-10
ELF-14

OTHERS

116-125

Modular Bulb Chain
MALEFİZ
Anti-fly Lamp



Who Are We ?

TTAF, founded in Istanbul in 2003, is a specialized organization that has gained trust and admiration both in Turkey and worldwide with its custom product designs and solutions for different needs in advanced technology connection elements, cable assemblies, plastic injection, fiber solutions, and professional lighting applications.

With over a quarter-century of experience and accumulation, the aim of TTAF is to provide its customers the highest quality products with its state-of-the-art machinery and superior service approach, providing complete system solutions that extend to telecommunications, defense industry, aerospace, automotive, and lighting solutions, and exporting to 70 countries.

TTAF continues production activities in Istanbul and Bursa facilities based on the principle of customer satisfaction.

We Design, Develop & Manufacture.





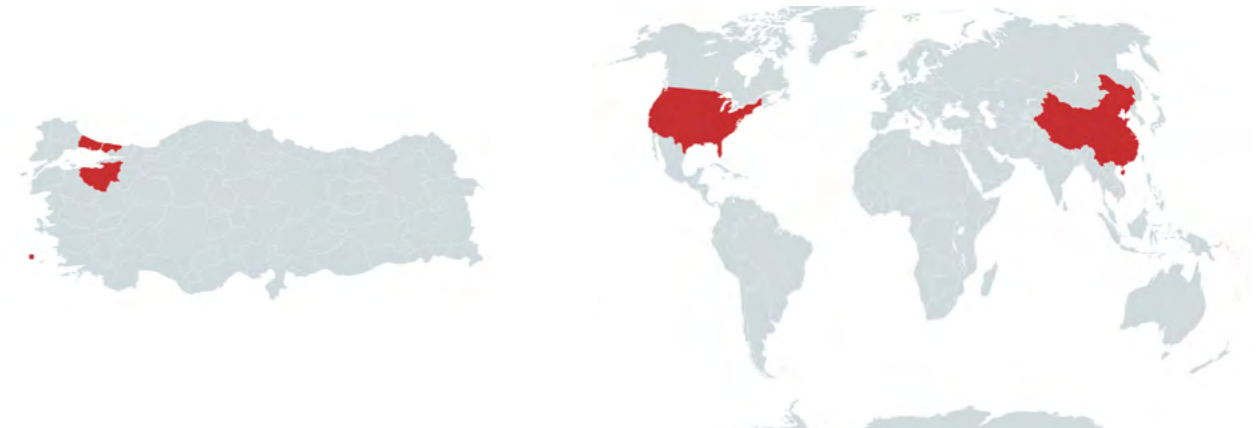
Our History Timeline

1990	Former company Elektromar started connector sales.
2003	TTAF factory was established.
2006	TTAF China, Shenzhen office was established.
2012	TTAF started fiber optic production.
2015	TTAF started lighting production.
2021	Rise-X start-up investment was made. FOBOS plastic factory established. GTOT 3D metal printer design started. DOGON Design started designing electrical car.
2022	Futurexpress was founded.
2023	Pangea was founded.

Group Companies



Locations



TTAF ELEKTRONİK

Kavaklı, İstanbul Cd. No:21, 34520
Beylikdüzü Osb/Beylikdüzü/İstanbul
www.ttaf.com.tr

GTOT

Kavaklı, İstanbul Cd. No:21, 34520
Beylikdüzü Osb/Beylikdüzü/İstanbul
www.gtot.ttaf.com.tr

FOBOS PLASTİK

Osmangazi Mah. 2684.Sok. No:7 İç
Kapı No:Z1 34522/Esenyurt/İstanbul
www.fobos.com.tr

RISE-X TECHNOLOGY

Sanayi, Teknopark Blv No: 1 D:9A,
34906 Pendik/İstanbul
www.risex.ttaf.com.tr

FUTUREXPRESS

Sanayi, Teknopark Blv No: 1 D:9A,
34906 Pendik/İstanbul
www.futurexpress.com.tr

DOGON DIZAYN

Dürdane mah. İstanbul cd. No:850
Osmangazi/Bursa
www.dogon.com.tr

TTAF SHENZHEN OFFICE

9th Floor, 3rd Building, Jianghao
Industrial District, Shenzhen/
Guangdong/China 518129
www.ttaf.com.tr

PANGEA

9854 National Blvd300,90034
California/Los Angeles/USA
www.pangeatech.com.cc



Project & Design

Our specialist units with different competencies provide consultancy services in line with the needs of our customers, taking into account the brand reputation. At first, our teams prepare our design approach in 3D in line with customer demands. Then, they bring the lighting experience to life before the application with dialux lighting calculations and simulation videos.

R&D

We customize, develop and produce the professional area lighting solutions that we operate in line with the needs of our customers with our optical, mechanical and electronic design experts.

Test

We work with meticulousness beyond the norms to produce products that offer high quality, performance and safe user experience. Before the production process, we expose all our products to electrical and harsh climatic conditions in TTAF laboratories, and we do not risk the test steps that will take place in accredited test laboratories. In this way, we provide time advantage in the certification processes of the products.

Manufacturing

TTAF production track, which offers the privilege of customizing in line with the needs of our customers, provides added value to the production process with our production and quality control teams.





Project Examples

*Kanyon Mall



Scorpius® Dot Led





Project Examples

*Beykent Univesity

ESL -30





Project Examples

*Avrasya Tunnel

Volans®





ARMAGEDDON®



With ARMAGEDDON® and LED, mechanical, electrical and optical structures are combined in a body that is resistant to harsh climate and field conditions.

COB (Chips On Board) LED technology offers high efficiency, compact and robust structure, stable electrical properties and makes it possible to produce long-lasting, economical products.

However, if it is not well protected from external factors and installed correctly, it lacks all the advantages it has.

Armageddon provides the ideal environment for its operation by isolating the COB LED it contains from the outside world.

Minimizes labor costs with ease of assembly and time savings in clean room conditions with temperature and humidity control.

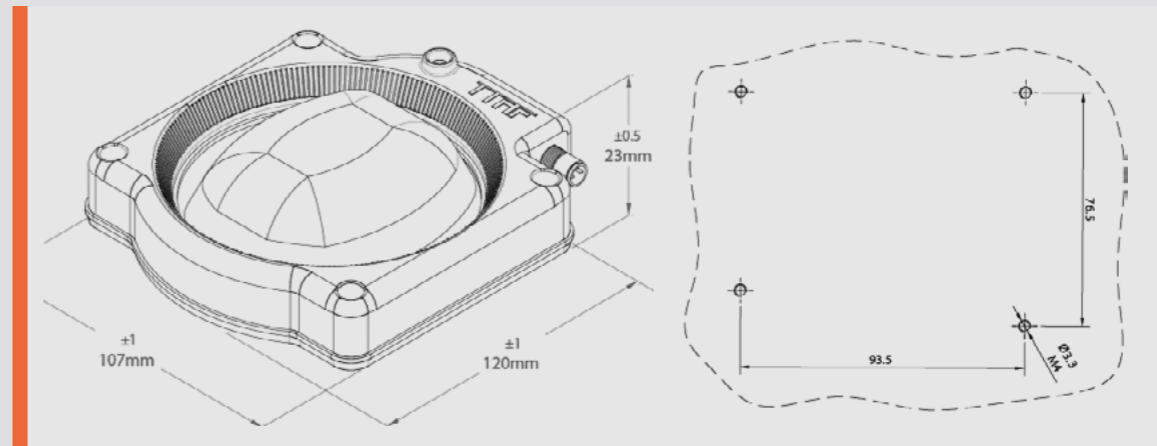
After being produced with precision, it goes through the quality control process with 100% test method.



- * It provides a long life by minimizing the negative thermal factors that are a risk for the COB LED.
- * It minimizes environmental factors and damages affecting the ports.
- * It contributes to the environment and human health and safety.
- * It transforms the complex LED structure into a plug-in and detachable light bulb.



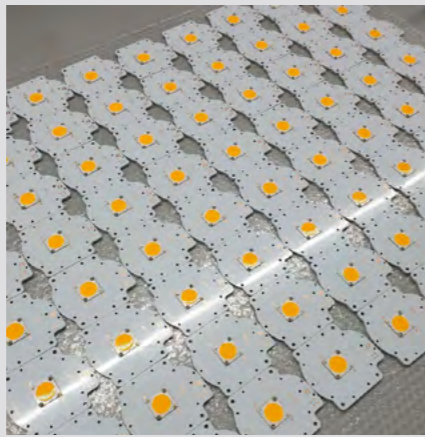
- Aluminum PCB
- COB LED
- Silicone Sealing Gasket
- Borosilicate Glass Optical Structure
- Engineering Thermoplastic Outer Cover



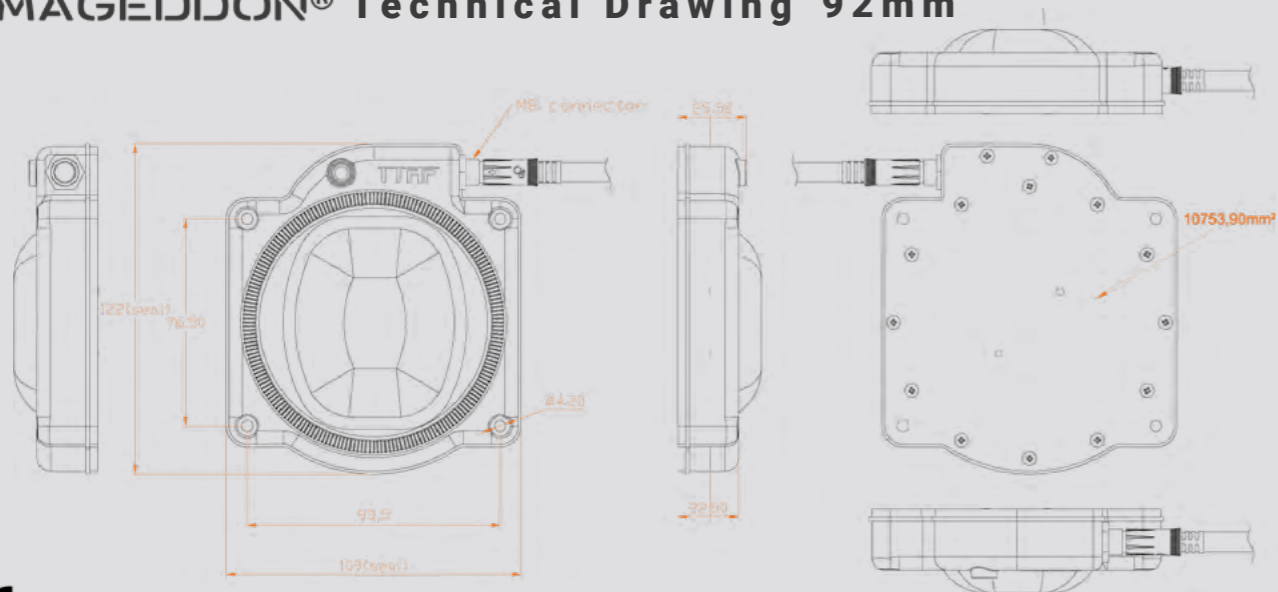
Electrical Insulation Class	Class I, Class II
Operating temperature	-30 °C ~ + 85°C
Source of light	COB LED 28mm x 28mm ~ 17mmx17mm
Light Color	Determines COB Used
Luminous Flux	Determines COB Used
IP Class	IP67
Impact Resistance	Minimum IK08
Body Material	Engineering Thermoplastic
Optic Lens	92mm Borosilicate Glass
Cooler Material	Anodized 5052 Aluminum
Connector	M8 IP67 Industrial Type
Seal Material	Silicone
Body Color	Black or Desired Color
Product Weight	380 gr



The Armageddon led module has three different cases and six different lens types. Designed by our expert team in the field, armageddon adapts to all kinds of environments with its modern and strong structure. It offers a suitable solution with different lens options.

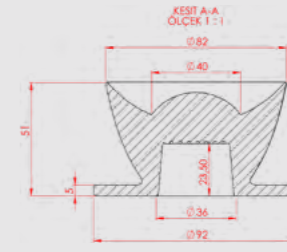
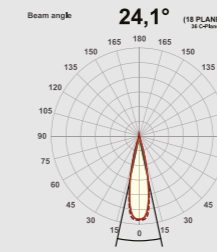


ARMAGEDDON® Technical Drawing 92mm

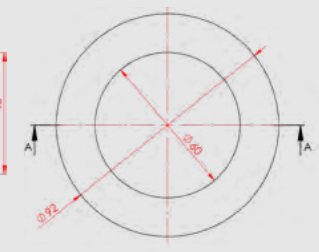
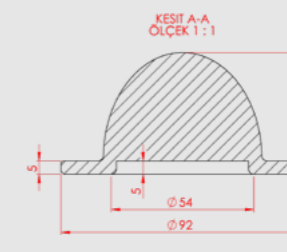
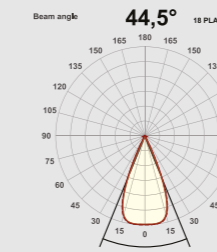


Lenses and Lens Angles

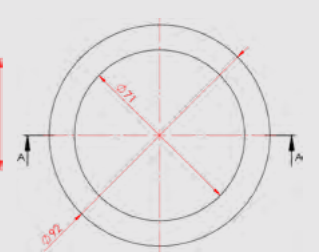
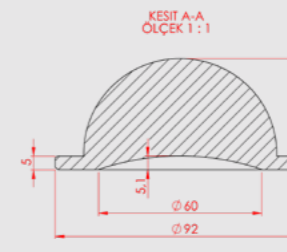
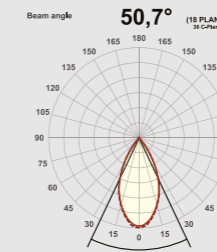
20° Lens



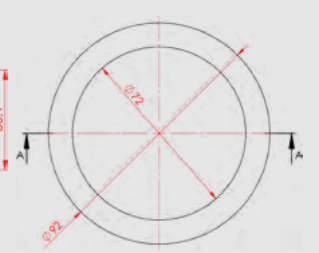
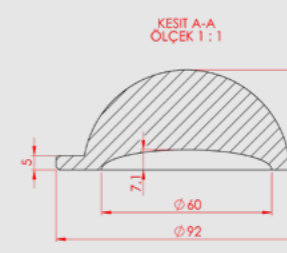
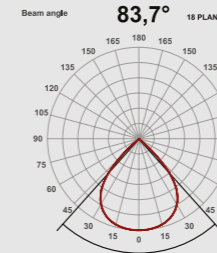
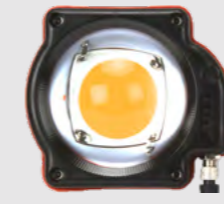
45° Lens



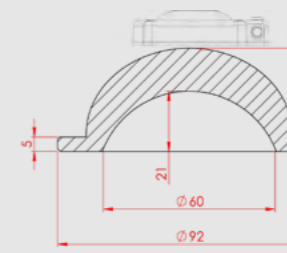
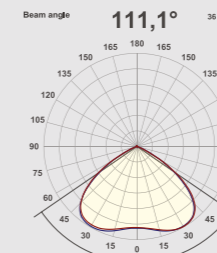
60° Lens



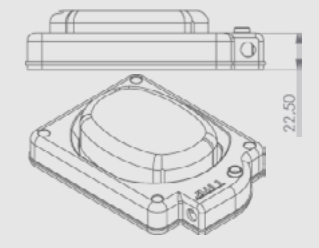
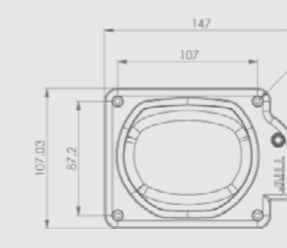
90° Lens



120° Lens



165° Lens

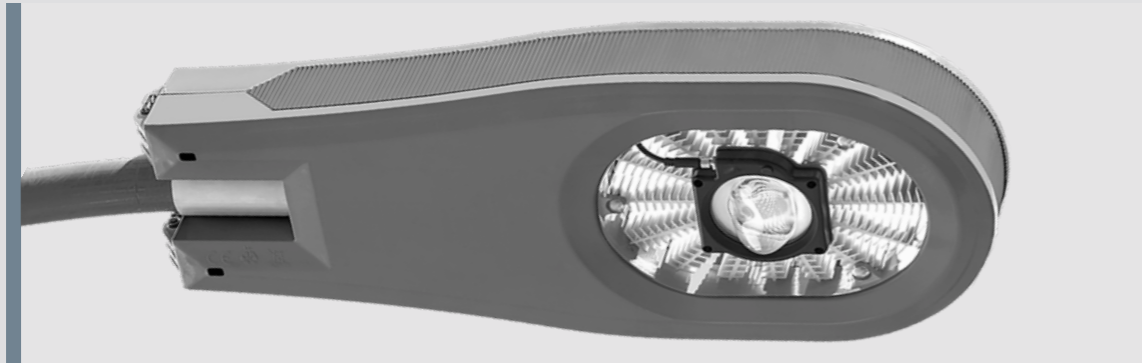


Street Lighting



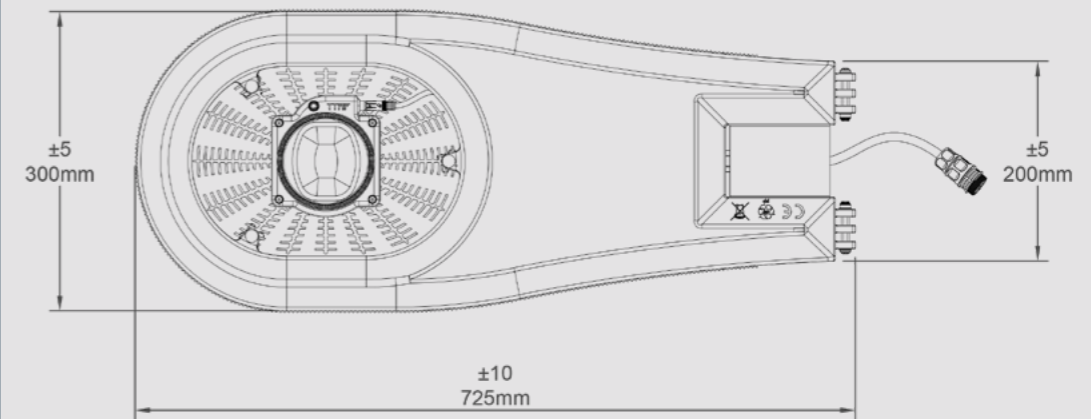


APUS[®]
50W ~ 140W IP66 EN 60598-1 EN



Flemish astronomer Petrus Plancius identified 12 constellations using asterisms found in the southern sky. It was 'Apus', a small constellation in the southern sky, named for the 'bird of paradise', a beautiful bird native to the South Pacific.

Special design, different power, color and optic options. Constant current output working in the range of wide voltage. It has high voltage and lightning protection system. IP67 LED driver that can be used in risky areas such as TYPE HL, Class I, Division 2. Engineering plastic body resistant to high heat and impacts. Anodized aluminum cooler with excellent heat cooling feature. Possibility of LED replacement with only four screws. It has strong console connection and stainless steel fasteners.



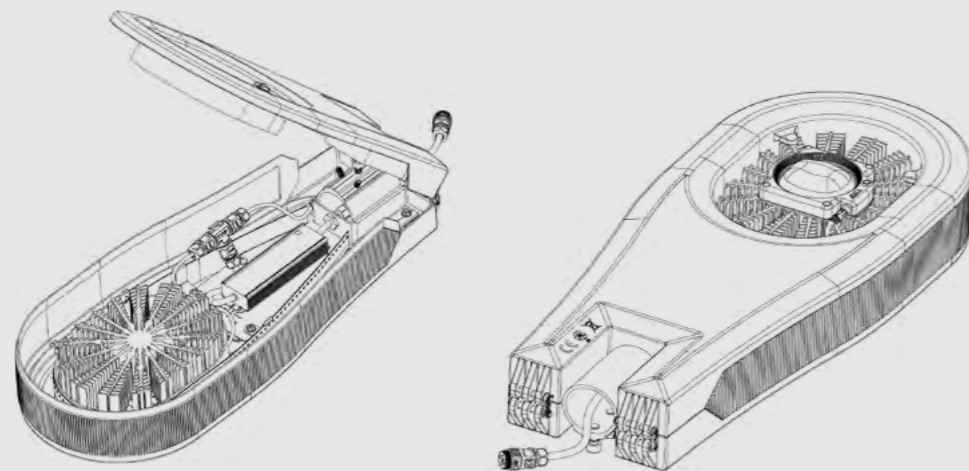
Body Material	Engineering Thermoplastic
Lens Angle	Asymmetric
Power Consumption	50W~140W
Source of Light	Armageddon
Operating Voltage	127 ~250 VAC 50/60Hz
Color Temperature	2200K~6500K
CRI	>70
IP Class	IP66
Luminous Flux (lm)	7700lm~17000lm
Product Weight	7 kg
Product Sizes	730x305x110 mm



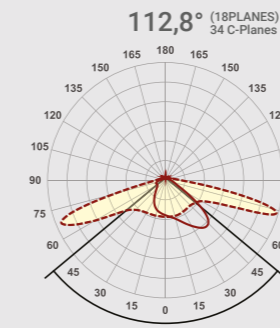


It describes the quality with unique design, different power, colors and optic options, constant current output working in the range of wide voltage, high voltage and lightning protection system, IP67 LED driver that can be used in TYPE HL, Class I, Division 2 risky areas, high temperature and impact resistant engineering plastic body, Anodized aluminum cooler with excellent heat absorption, LED replacement with only four screws, strong console connection, stainless steel fasteners, low investment and operating costs.

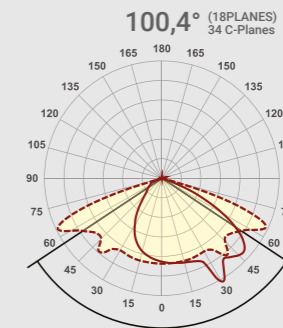
Parks, fields, streets and avenues have become more colorful, more fun and safer with a completely original concept.



Apus Armageddon Lens Angles



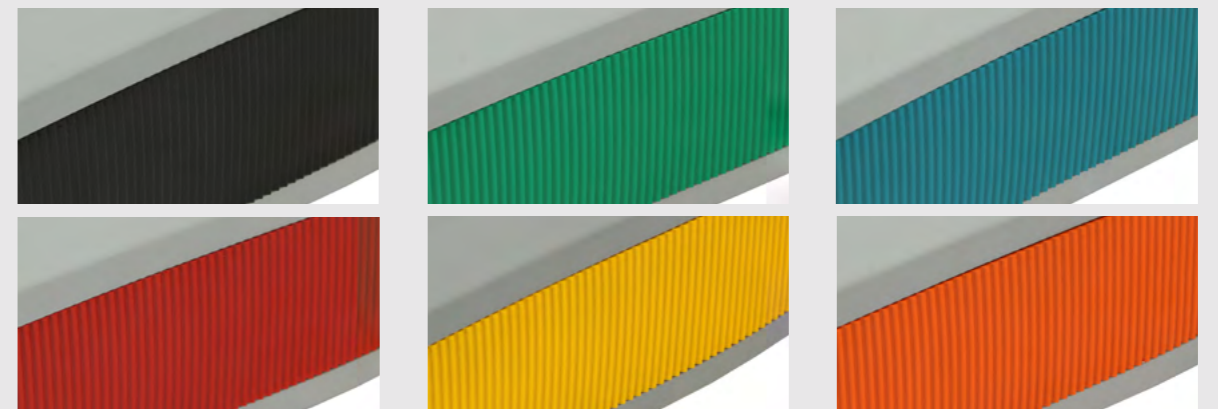
Apus 50



Apus 90



Desired color and design option on the side.





Flag Series

*Desired flag can be applied according to demand.



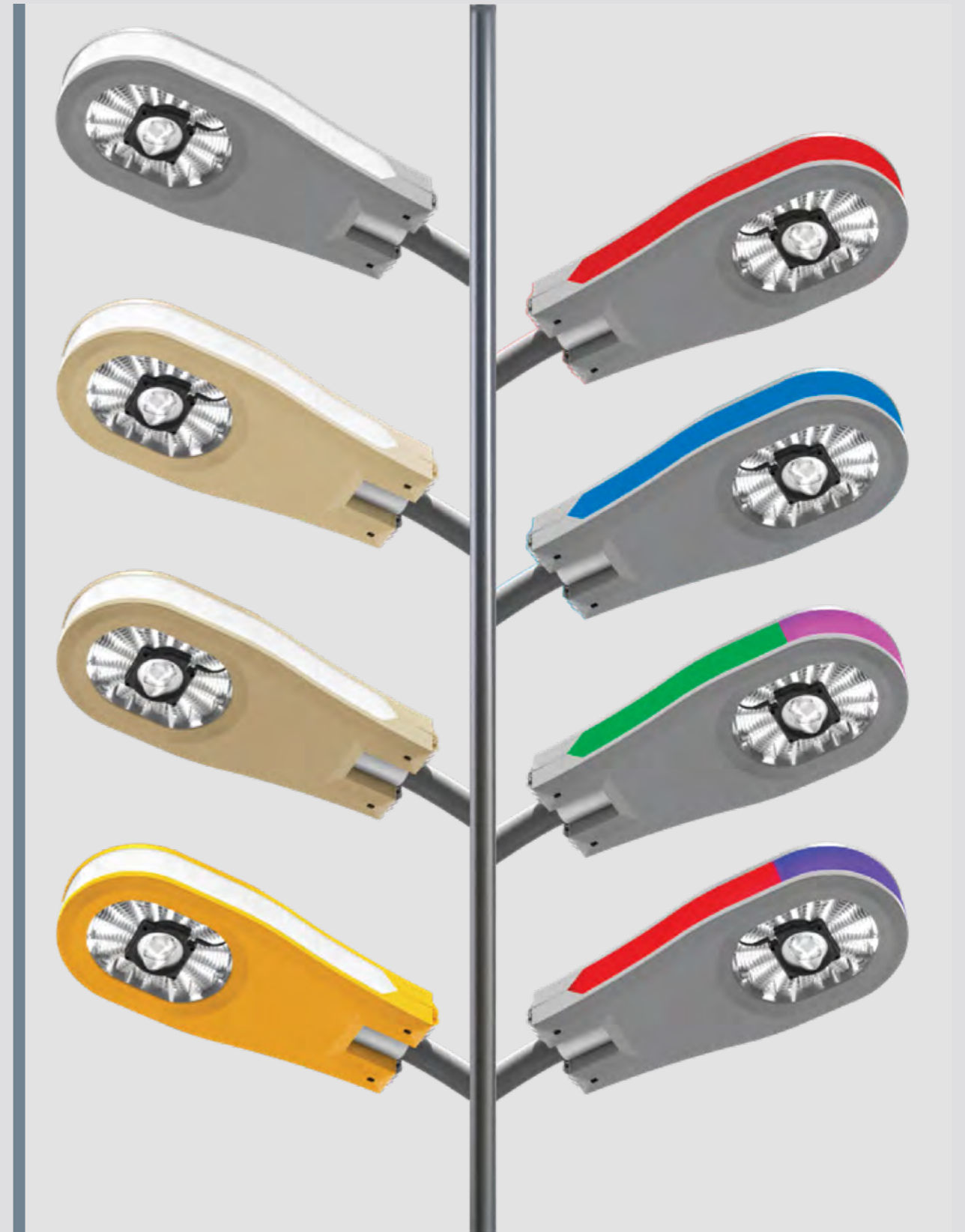
Corporate Logo Series

*Desired logo can be applied upon request.



Body Color Options Painted and Illuminated Decorative Tape

Body, paint and light can be applied in the desired color upon request.





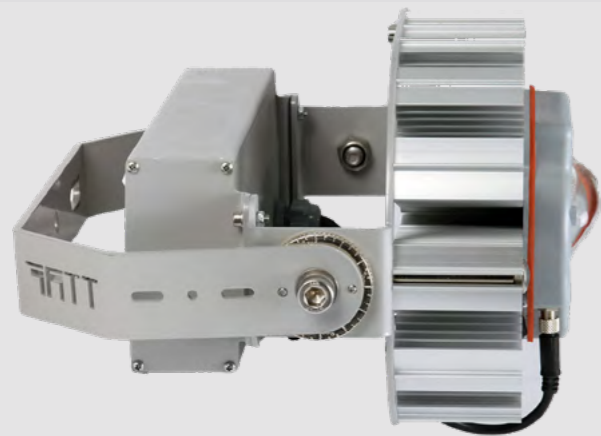
Projectors





ESL-10

50W ~ 140W IP66



Armageddon®
Replaceable
LED Lamp

Aluminum
Body

Adjustable
Mounting Feet

It is a product designed for lighting warehouses, loading/unloading areas, parking areas, social areas, etc. High-power projector suitable to rugged, efficient, heavy-duty. Long life, easy maintenance thanks to replaceable light source Armageddon®. Specially designed aluminum body for cooling and low wind resistance. Safe use in high ambient temperatures and severe weather conditions. Ready for integration into automation systems.



Body Material	Injection Aluminum
Lens Angle	20°, 45°, 60°, 90°, 120°, 160°
Power Consumption	50W~140W
Source of Light	1xArmageddon
Operating Voltage	120 ~240 VAC 50/60Hz
Color Temperature	2200K~6500K
CRI	>70
IP Class	IP66
Product Weight	5,2 kg
Product sizes	186x315x270 mm
Luminous Flux (lm)	7700lm~17000lm



ESL-20

200W ~ 320W IP66

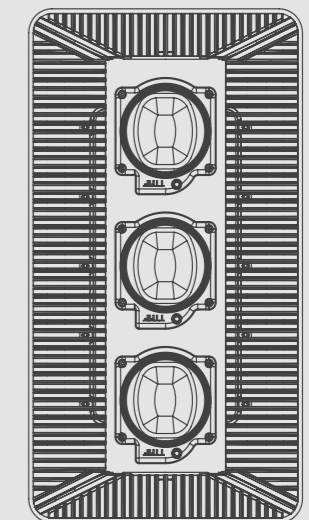
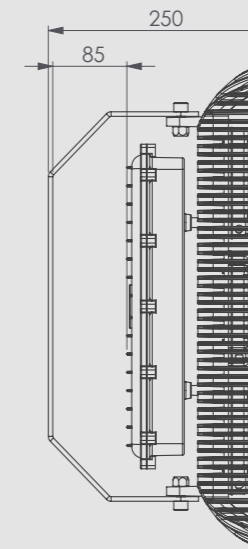
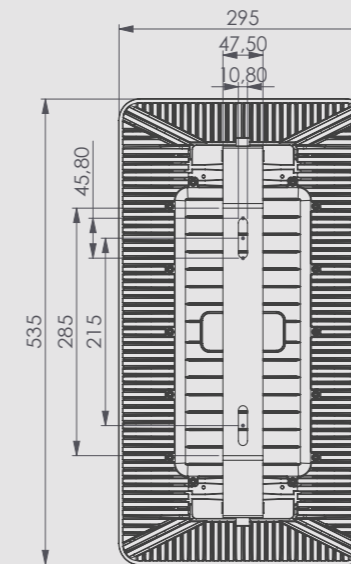


It is a product designed for lighting warehouses, loading/unloading areas, construction sites, ports, shipyards, sports halls, social areas. High-power projector suitable to rugged, efficient, heavy-duty. Long life, easy maintenance thanks to replaceable light source Armageddon®. Specially designed aluminum body for excellent cooling and low wind resistance. Safe use in high ambient temperatures and severe weather conditions. Ready for integration into automation systems. When conventional projectors in the 250W – 1000W range are replaced with the ESL-20 series, the payback period is short.

Armageddon® COB LED

Aluminum Body

Adjustable Mounting Feet



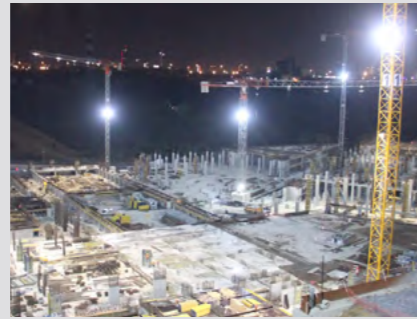
Body Material	Injection Aluminum
Lens Angle	20°, 45°, 60°, 90°, 120°, 160°
Power Consumption	200W, 320W
Source of Light	1xArmageddon
Operating Voltage	100~240 VAC - 50/60 Hz
Color Temperature	2200K-6500K
CRI	>70
IP Class	IP66
Luminous Flux (lm)	26400lm~44500lm



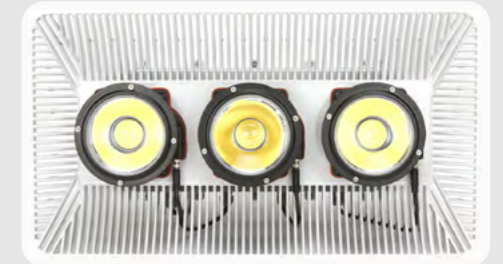
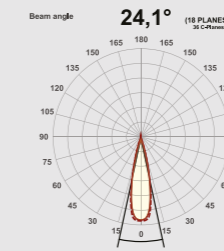
ESL-20

200W ~ 320W IP66

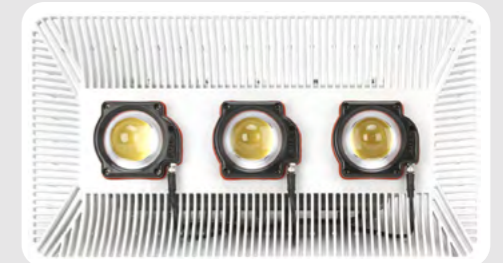
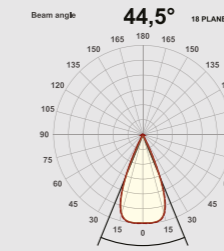
ESL-20 INTERNAL STRUCTURE



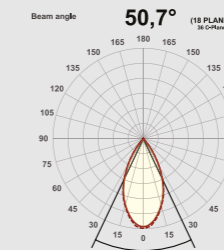
20° Lens



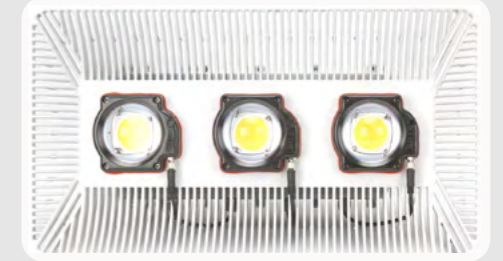
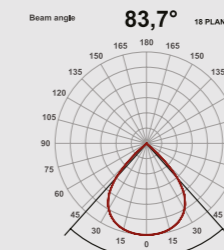
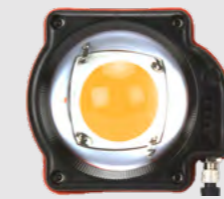
45° Lens



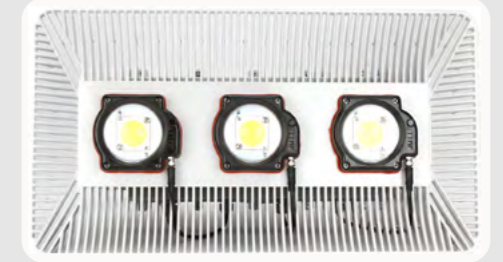
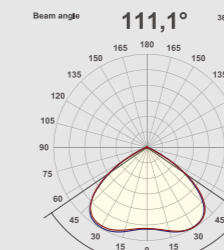
60° Lens



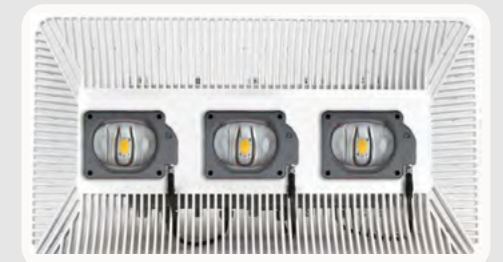
90° Lens



120° Lens



165° Lens



Projector



ESL-25

320W IP76

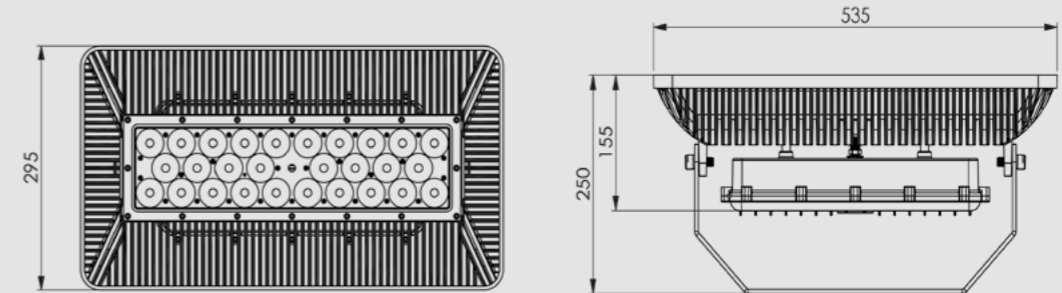


It is a product designed for use on long-range, mobility-capable marine vehicles. There are wide and narrow angle lighting options. It has a waterproof body.

Aluminum Body

Power Led

IP67 Driver Box



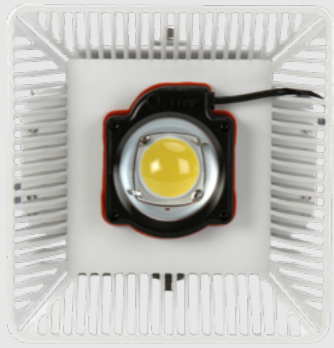
Body Material	Injection Aluminum
Lens Angle	20°, 45°, 60°, 90°, 120°, 160°
Power Consumption	320 W
Source of Light	Power LED
Operating Voltage	100~240 VAC
Color Temperature	7000 K
CRI	>70
IP Class	-
Luminous Flux (lm)	33740lm





ESL-30

45W ~90W IP66

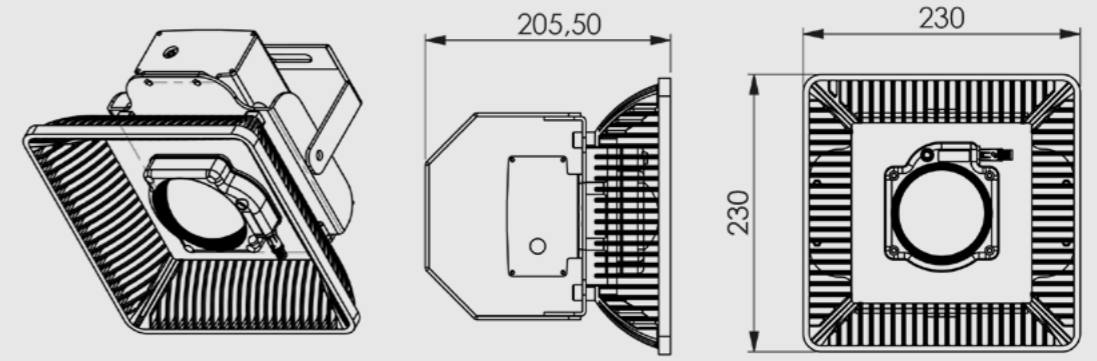
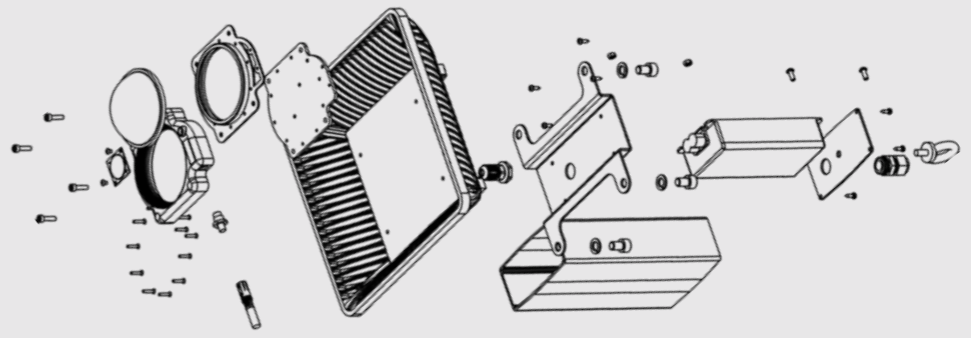


ESL-30 series offers a solution to meet all purposes for storage areas, construction sites, and high ceiling applications. ESL-30 LED provides more energy savings than alternatives. It provides LED performance and lifetime with a special aluminum body profile and built-in thermal management system. Owing to the replaceable light source Armageddon®, it provides long life and easy maintenance.

Armageddon® COB LED

Aluminum Body

Adjustable Mounting Feet



Body Material	Injection Aluminum
Lens Angle	20°, 45°, 60°, 90°, 120°, 160°
Power Consumption	45W-90W
Source of Light	Armageddon
Operating Voltage	100 ~240 VAC 50/60Hz
Color Temperature	2200K~6500K
CRI	>70
IP Class	IP66
Luminous Flux (lm)	6400lm~13250lm

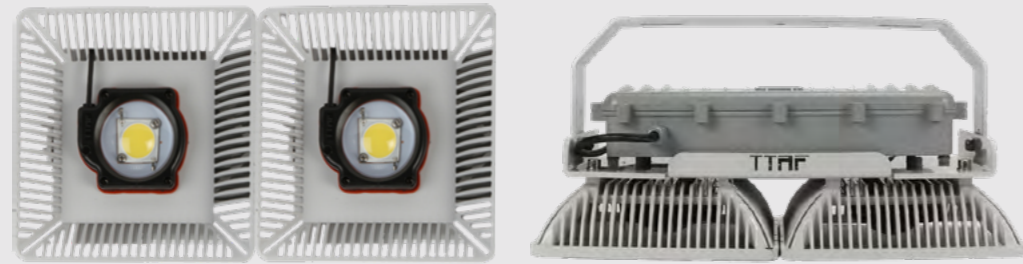


Projector

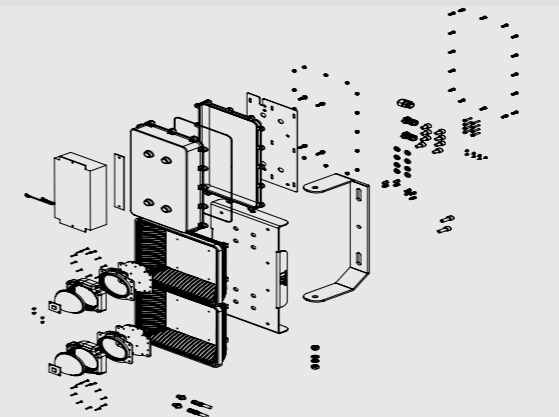


ESL-30

100W ~140W IP66



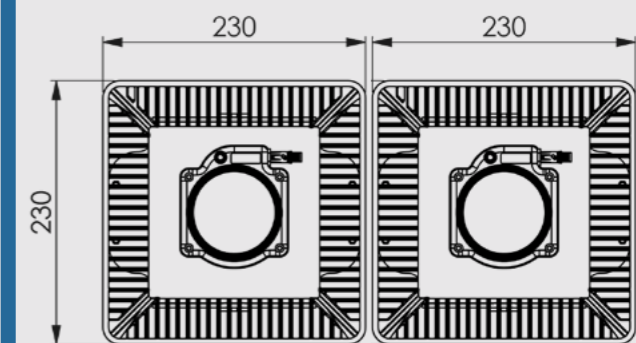
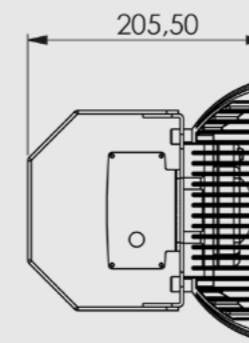
ESL-30 series offers a solution to meet all purposes for storage areas, construction sites, and high ceiling applications. ESL-30 LED provides more energy saving than alternatives. With a special aluminum body profile and built-in thermal management system, it provides LED performance and lifetime.



Armageddon® COB LED

Aluminum Body

Adjustable Mounting Feet



Body Material	Injection Aluminum
Lens Angle	20°, 45°, 60°, 90°, 120°, 160°
Power Consumption	100W-140W
Source of Light	Armageddon
Operating Voltage	100 ~240 VAC 50/60Hz
Color Temperature	2200K~6500K
CRI	>70
IP Class	IP66
Luminous Flux (lm)	6400lm~13250lm



ESL-30

200W ~ 320W IP66

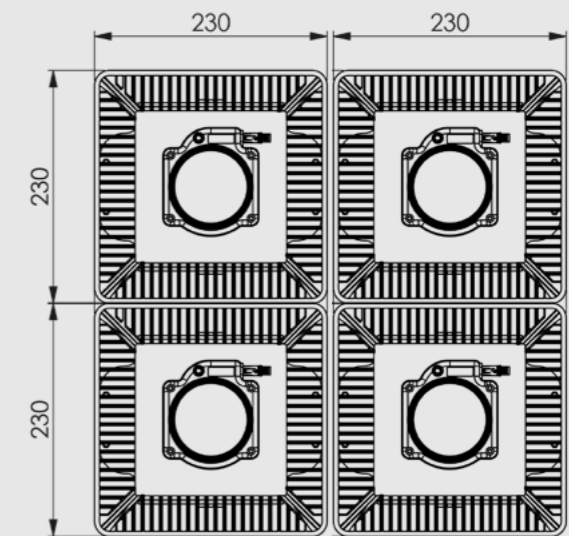
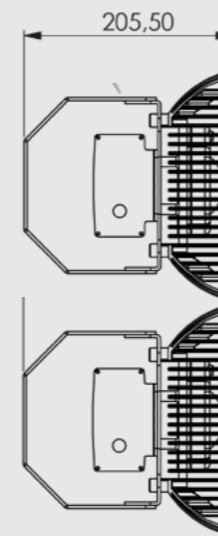
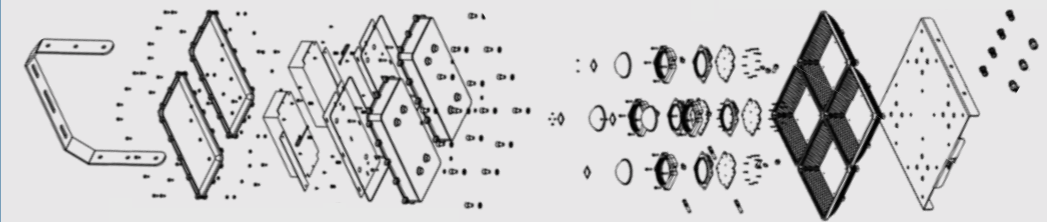


Designed by the TTAF team for storage areas, construction sites, and high ceiling applications. The ESL-30 series offers a solution for all purposes. ESL-30 LED provides more energy saving than alternatives. Thanks to Armageddon®, it provides long life and easy maintenance.

Armageddon® COB LED

Aluminum Body

Adjustable Mounting Feet



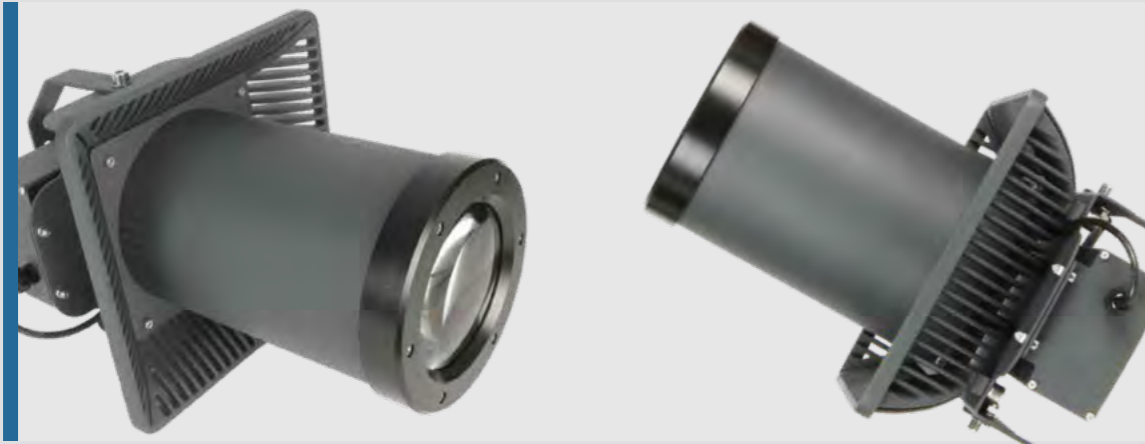
Body Material	Injection Aluminum
Lens Angle	20°, 45°, 60°, 90°, 120°, 160°
Power Consumption	200W-320W
Source of Light	Armageddon
Operating Voltage	100 ~240 VAC 50/60Hz
Color Temperature	2200K~6500K
CRI	>70
IP Class	IP66
Luminous Flux (lm)	6400lm~13250lm

Projector



ESL-30 NARROW ANGLE

50W ~100W IP66



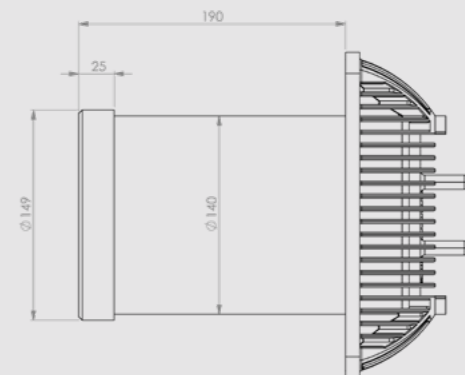
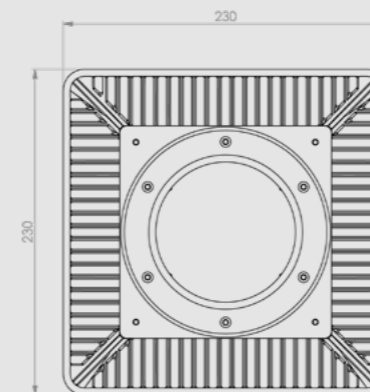
Designed by the TTAF team for storage areas, construction sites, and high ceiling applications. The ESL-30 series offers a solution for all purposes. ESL-30 LED provides more energy saving than alternatives. Owing to Armageddon®, it provides long life and easy maintenance.

Armageddon® COB LED

Aluminum Body

Adjustable Mounting Feet

Robust and low-maintenance, energy-saving industrial LED high luminaire. With a special aluminum body profile and built-in thermal management system, it provides LED performance and lifetime.



Body Material	Injection Aluminum
Lens Angle	4.8 kg/230x230x385mm
Power Consumption	50W~100W
Source of Light	Armageddon
Operating Voltage	100 ~240 VAC 50/60Hz
Color Temperature	2200K~6500K
CRI	RA>80
IP Class	IP66
Luminous Flux (lm)	6400lm~13250lm

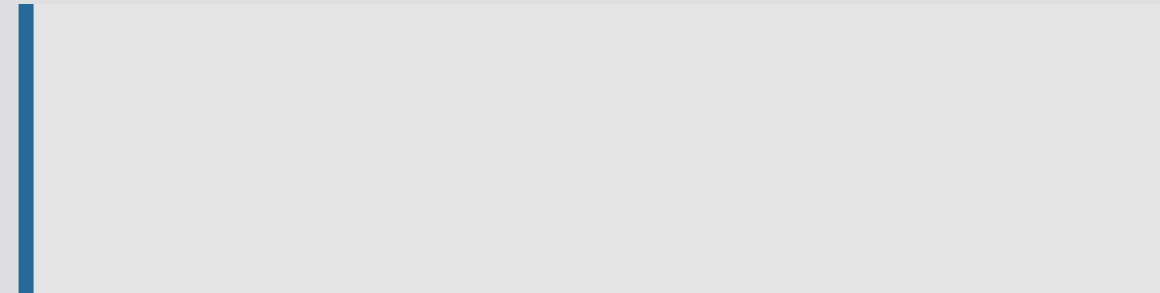


MOSOTUNYA®

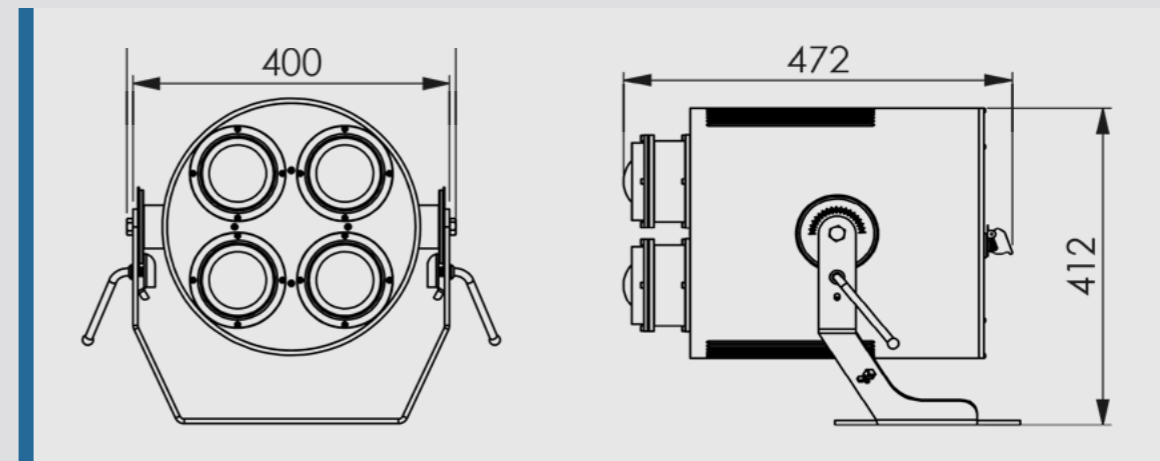
425W IP66



Projector



Armageddon® COB LED Aluminum Body Adjustable Mounting Feet



Body Material	Aluminum
Lens Angle	20°
Power Consumption	425W
Source of Light	4xArmageddon
Operating Voltage	100 ~250 VAC
Color Temperature	5000K
CRI	>70
IP Class	IP66
Luminous Flux (lm)	55250lm



MINI GOBO

5 W IP 5 5



Projector

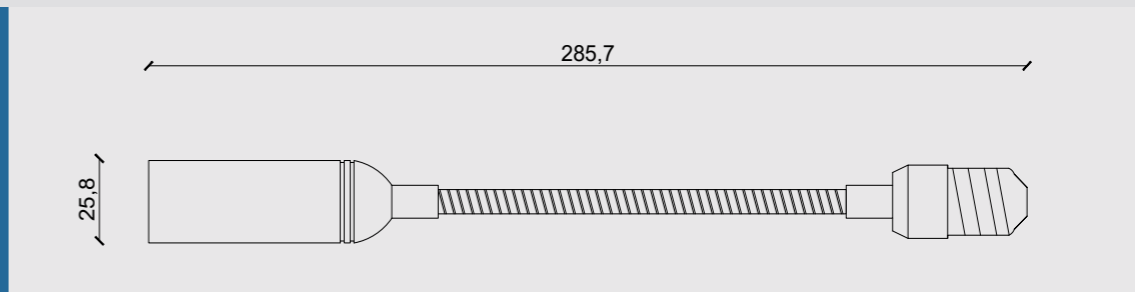
With the Mini GOBO Projector, you can display text, logo, design and other images by reflecting them on the area you want to apply. Desired logos, figures and patterns can be applied.
It is suitable for indoor use.

E27 Lampholder

Gobo Film

Flexible Stainless Steel Hose

AC Lens

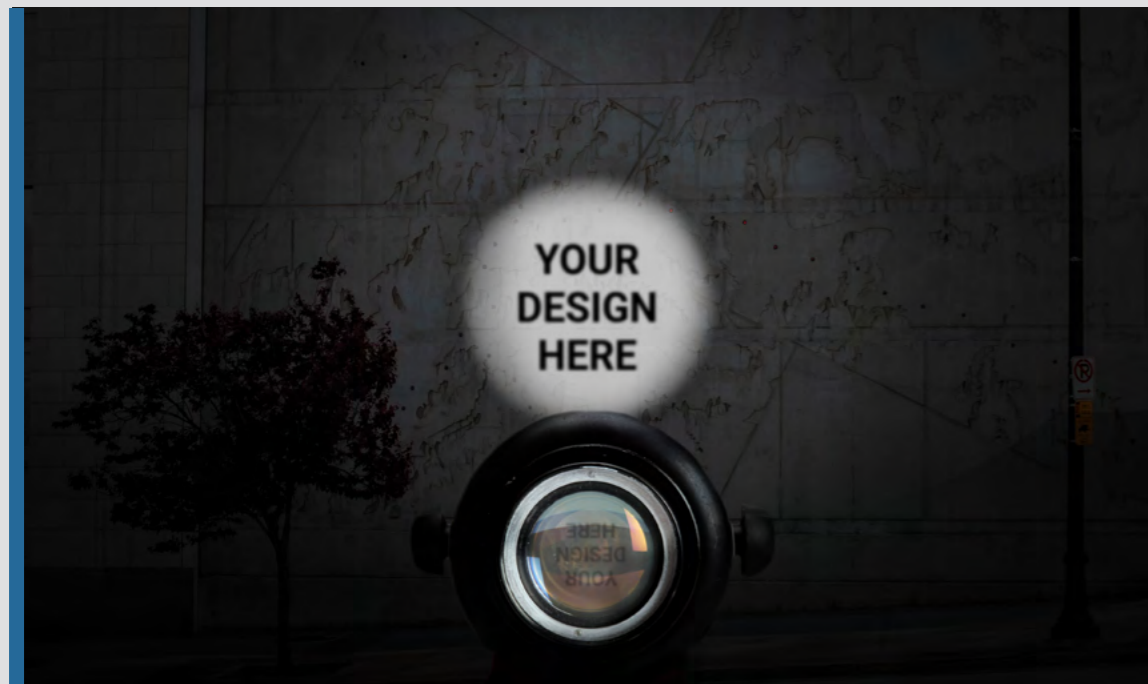


Body Material	Aluminum
Lens Angle	25° (L=3m Ø:1,4m)
Power Consumption	5 W
Source of Light	High Power LED
Operating Voltage	120 ~ 240 VAC
Color Temperature	6500K
CRI	>70
IP Class	IP55
Luminous Flux (lm)	400cd



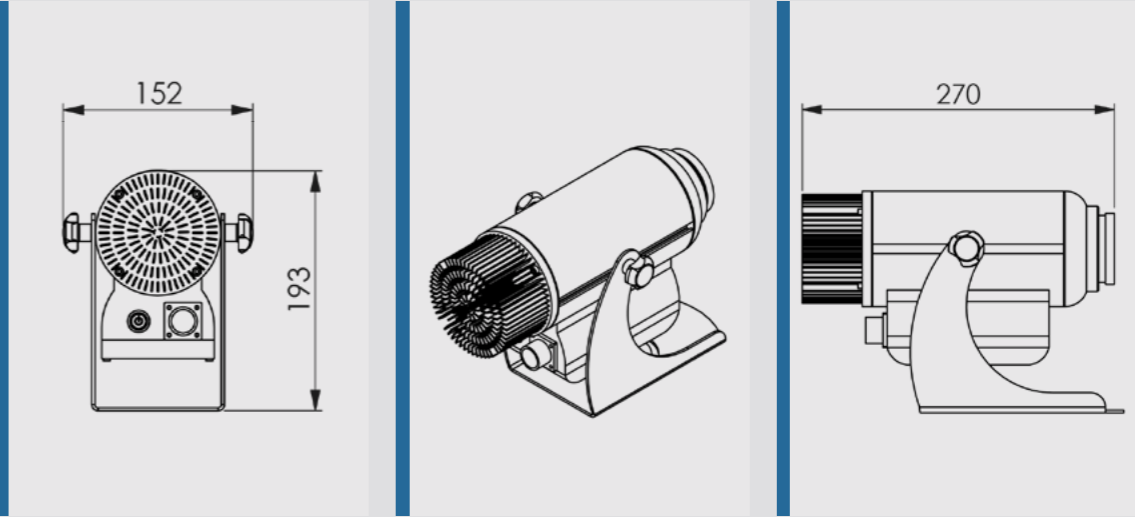
GOBO

5 W IP 5 5



With GOBO Projector, you can display text, logo, design and other images by projecting them into the area where you want to apply. Desired logos, figures and patterns can be applied. Suitable for indoor and outdoor use. The GOBO Projector is sent to the user in a carrying case. It provides effective viewing up to 30 meters.

- Cooler
- Aluminum Body
- Adjustable Mounting Feet



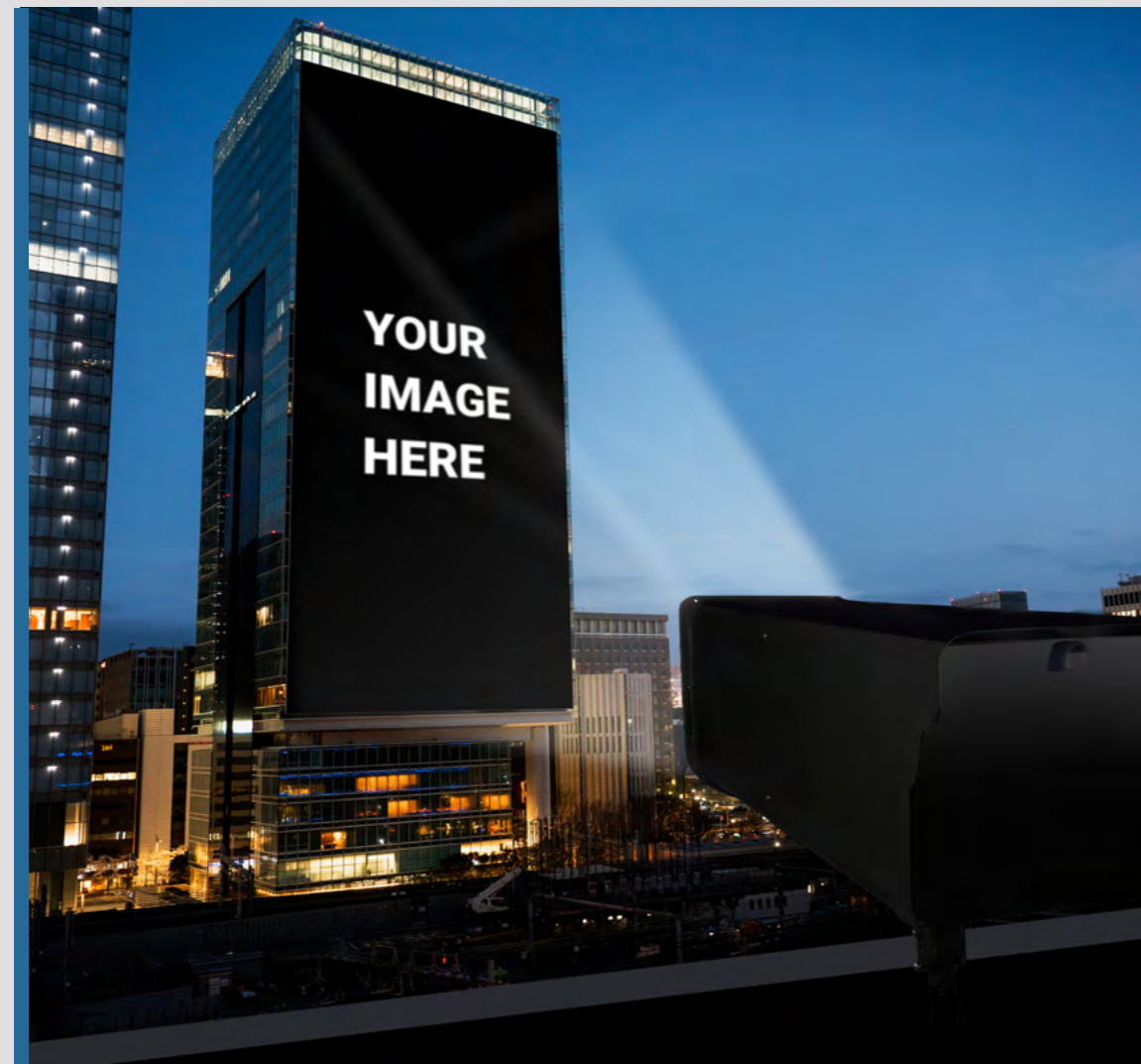
Body Material	Anodized Aluminum
Lens Angle	18°
Power Consumption	45W
Source of Light	COB LED
Operating Voltage	120 ~ 240 VAC
Color Temperature	5000K
CRI	>70
IP Class	IP65
Luminous Flux (lm)	8000 cd

Projector



BIG GOBO

5 W IP 5 5

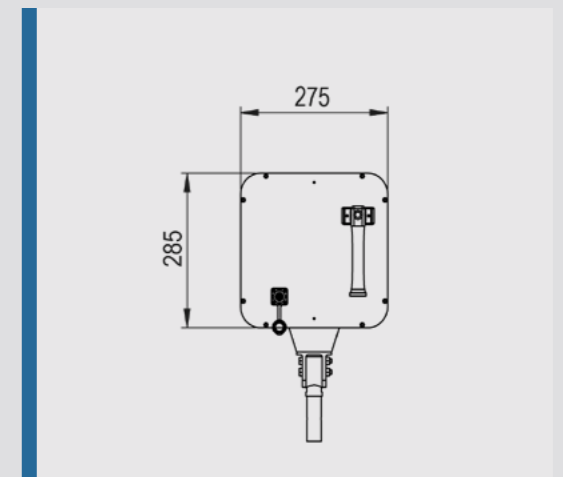
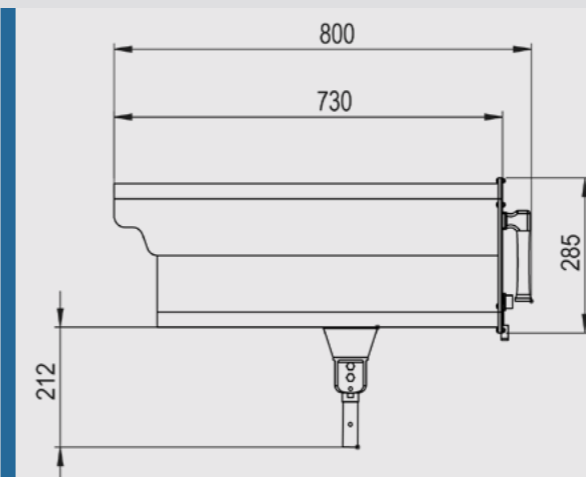


With GOBO Projector, you can display text, logo, design and other images by projecting them into the area where you want to apply. Desired logos, figures and patterns can be applied.

Adjustable Tripod

Aluminum Body

Interchangeable Lens



Body Material	Aluminum
Lens Angle	18° (L=10m Ø:3,10m)
Power Consumption	370W
Source of Light	COB LED
Operating Voltage	120 ~ 240 VAC
Color Temperature	8500K
CRI	>70
IP Class	IP65
Luminous Flux (lm)	50000 cd



Facade Lighting





VOLANS®

Linear LED Armature-v1



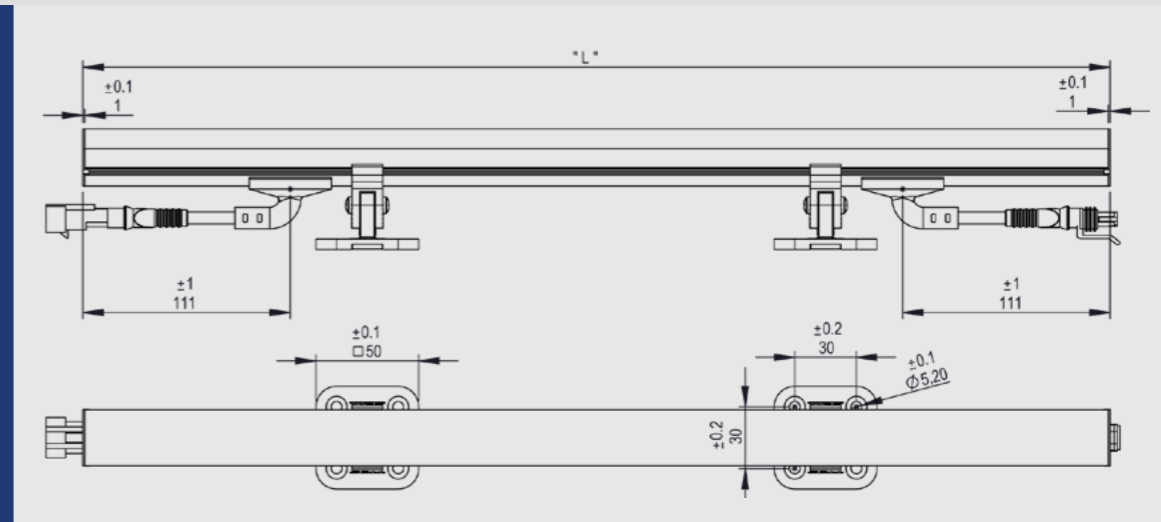
The biggest advantages of Volans are; aerodynamic profile design and light weight. It can be mounted directly on the surfaces of various structures by cascading.

Volans is designed to provide all the features you need in a reliable LED lighting solution. Our complete solutions include controllers, remote management software and more.

Modular

IP67 Connector

Adjustable Foot



Body Material	Polycarbonate
Lens Angle	117°
Power Consumption	16.5W, 18W, 24W
Source of Light	LED
Operating Voltage	24V, 36V, 220V
Color Temperature	2700K~6500K
CRI	>80
IP Class	IP67
Luminous Flux (lm)	630 lm~2472 lm



VOLANS®

Linear LED Armature-v2



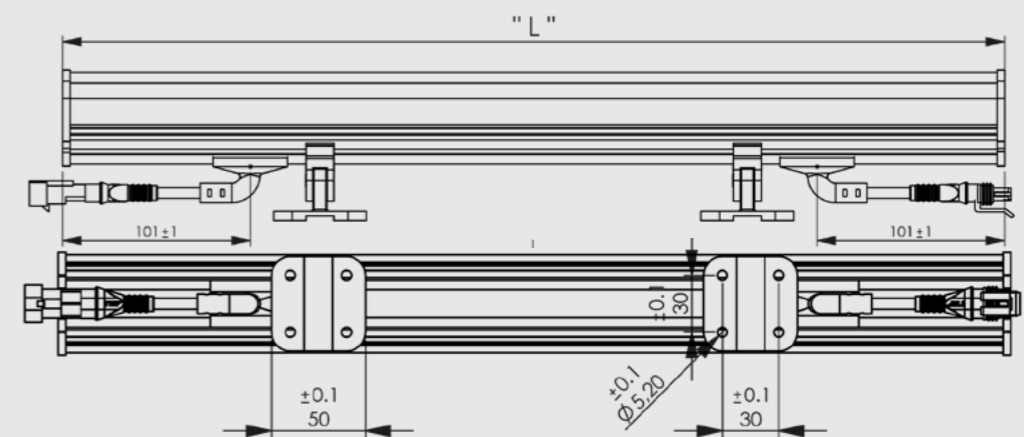
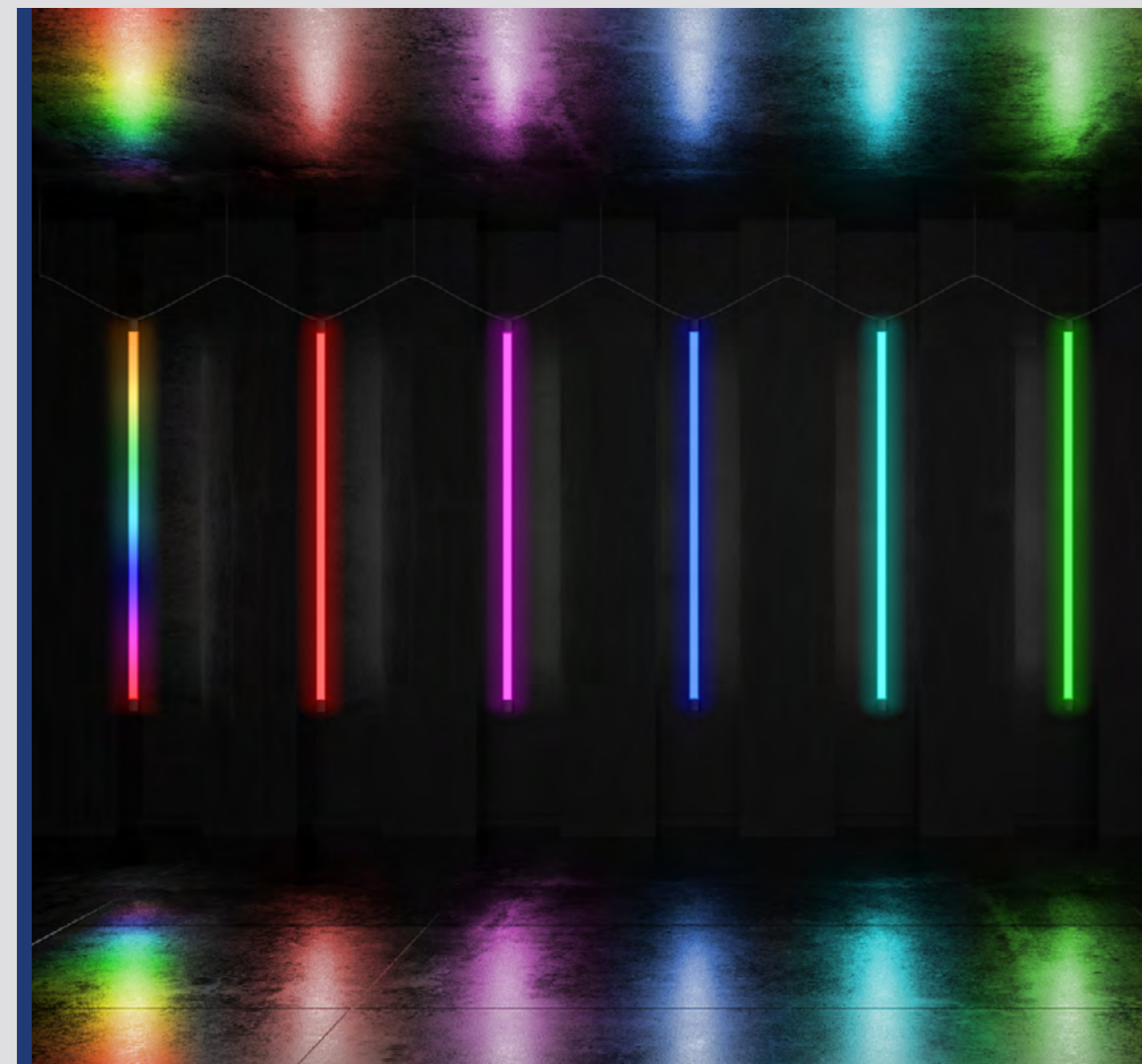
The biggest advantages of Volans are; aerodynamic profile design and light weight. It can be mounted directly on the surfaces of various structures by cascading.

Volans is designed to provide all the features you need in a reliable LED lighting solution. Our complete solutions include controllers, remote management software and more.

Modular

IP67 Connector

Adjustable Foot



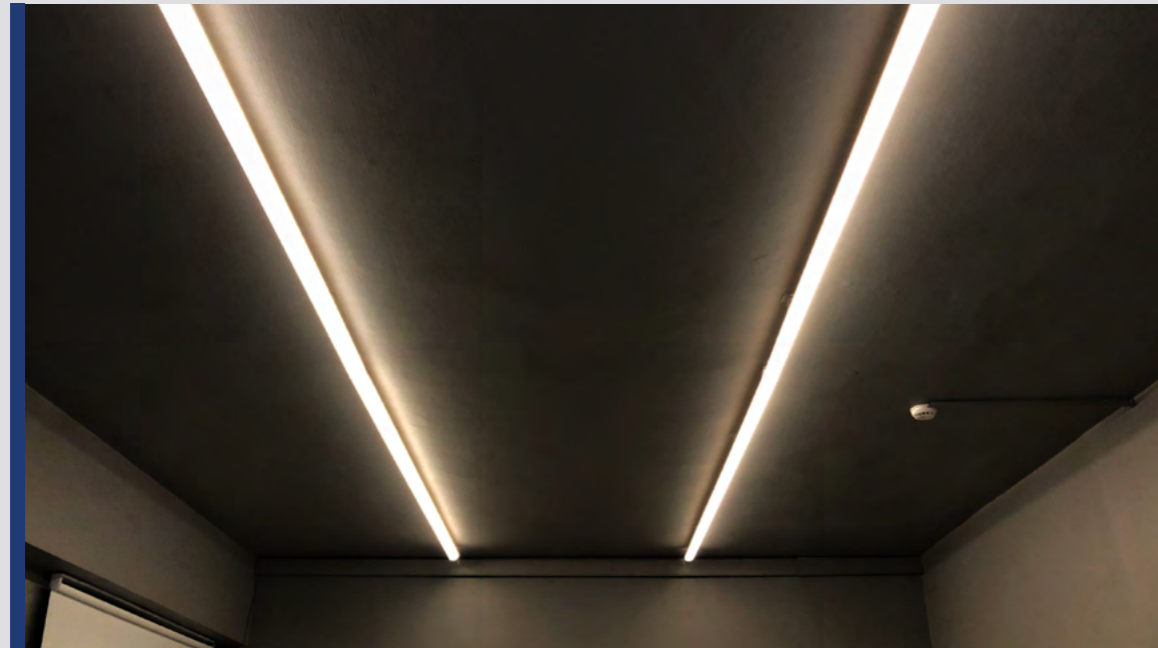
Body Material	Polycarbonate
Lens Angle	117°
Power Consumption	16.5W, 18W, 24W
Source of Light	LED
Operating Voltage	24V, 36V, 220V
Color Temperature	2700K~6500K
CRI	>80
IP Class	IP67
Luminous Flux (lm)	789lm~ 1722lm

Facade Lighting

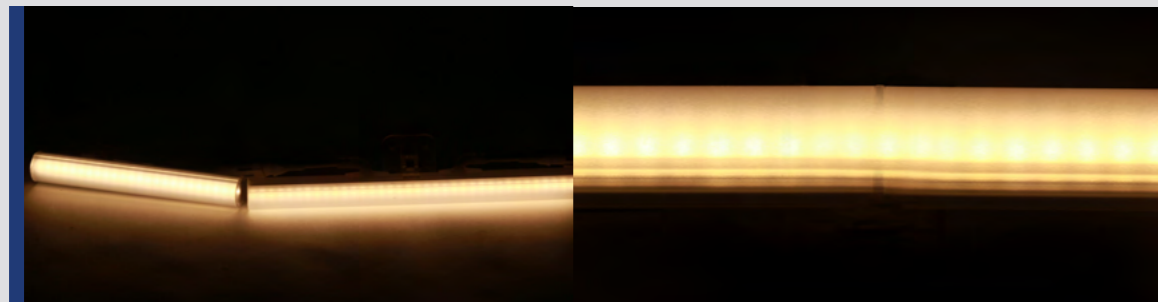


VOLANS®

Linear LED Armature-v1 & v2



Because of Volans' unique structure and interior lighting arrangement, the tubes come together and appear as a whole, regardless of length.



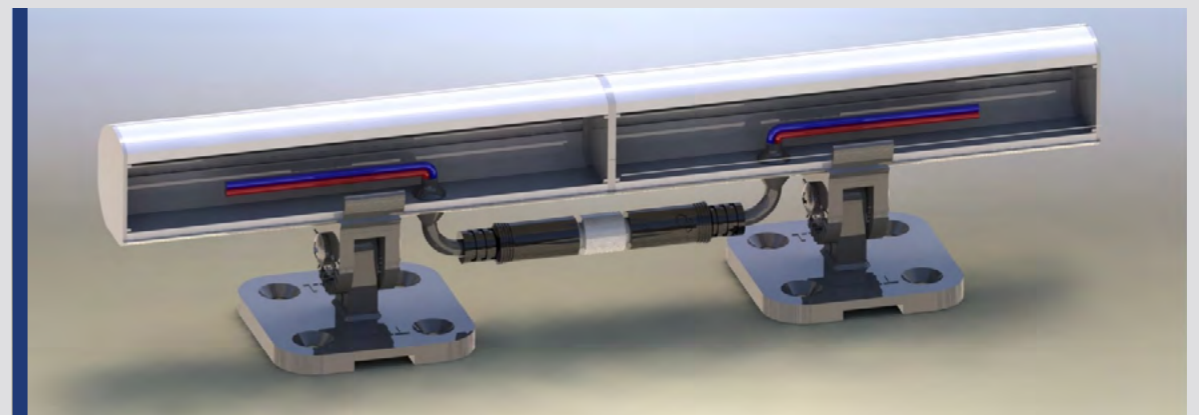
Volans products have polycarbonate bodies in order to be resistant to wind, rain, dust and heat in order to provide lighting for many years. In addition, it provides an effective illumination due to the high light transmittance of the polycarbonate material.



Due to the structure of the foot, the desired angle can be given to the right and left. Volans, screw and magnetic connection feet options allow mounting on the surfaces of high buildings.



In addition, thanks to the neodymium magnets used in the first of the mounting options, it provides an easy mounting feature in indoor applications coated with magnetic materials (iron, nickel, cobalt).



Volans is waterproof with its overmold printed connector designs that ensure no dark areas are left. High efficiency data and power are transported with Superseal and M type connectors.



SCORPIUS® DOT LED

ESC-01-SCORPIUS

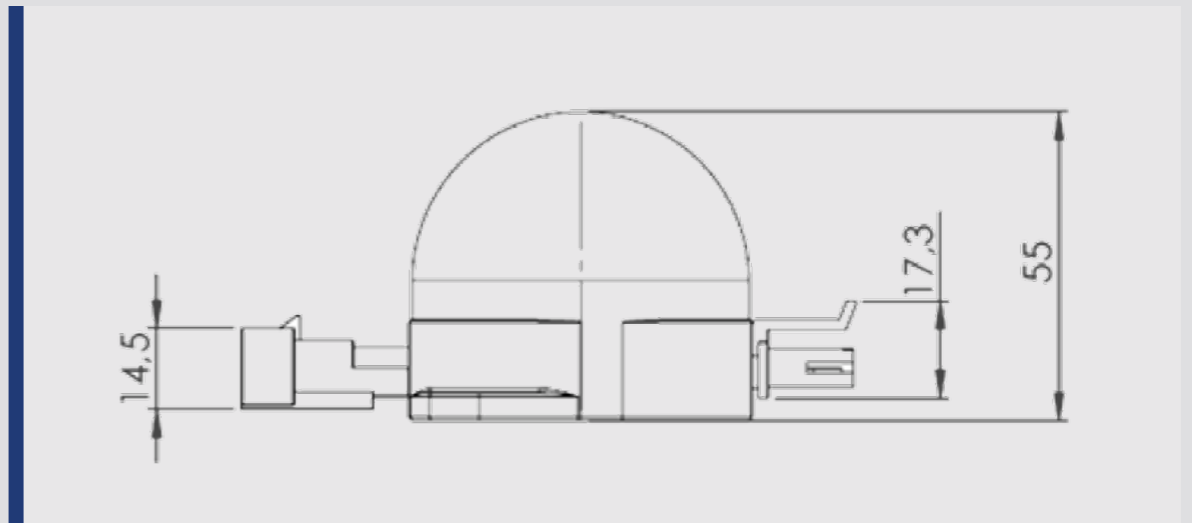


Scorpius is a DOT LED produced in IP67 standards. Scorpius is used for indoor and outdoor lighting as it is resistant to thermal and mechanical impacts and vibrations owing to its polycarbonate diffuser and body made of engineering plastics.

Replaceable Cover

Modular

IP67 Connector



Body Material	ABS
Lens Angle	135°
Power Consumption	1,2W ~ 6,5W
Source of Light	Mid Power LED
Operating Voltage	12 VDC / 21,5 ~ 30 VDC / 210 ~ 240
Color Temperature	3000K~6500K
CRI	>80
IP Class	IP67
Luminous Flux (lm)	112 lm~578 lm

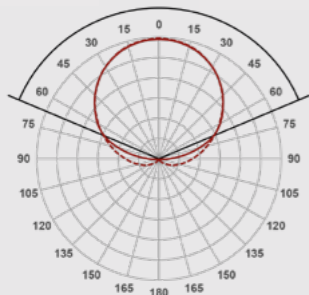
Facade Lighting



Scorpius® is resistant to thermal and mechanical impacts due to its polycarbon diffuser and body made of engineering plastics. Because of its round lines, low profile and modular structure, it gives you an advantage in all your projects. It has connectors that comply with IP68 standards. It is extremely resistant to water, dust and mud. Thanks to the mounting holes, very easy and practical mounting opportunity in the desired area.



Ray of Light **134°** (8 PLANES)
16 C-Planes



Light efficiency:

95 Lumen/Watt

Light quality:

CRI: 83,8

Color temperature:

6134 K

Test voltage : 24V
Test current : 100mA
Exit : 224lm
Power : 2,4W



Any length of cable can be produced between two Scorpius®. For 220 Volt wired connections, 80 can be added one after the other. 50 can be added in a row in wired connections for 24 Volts.



Scorpius® offers 7 different color options thanks to its changing covers. (cold white, warm white, amber, red, blue, green, purple).





Solar Lights





EWL SOLAR SERIES

E W L - 0 4 - 2

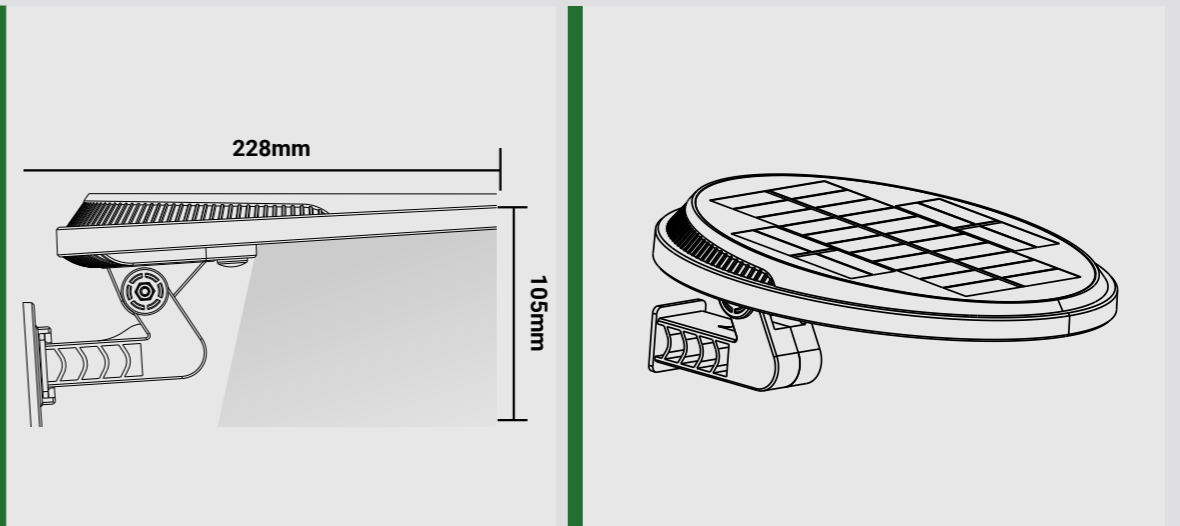


More than 5 nights of illumination, it can be provided with EWL-04-2. It has the feature of being charged from the sun or USB in 7-9 hours. wall or etc. Can be used fixed to a surface. Owing to its water-resistant structure, it works in harsh climatic conditions. Due to the sensor on it, it switches from low light to high light when it detects motion.

Adjustable Foot

Mounting Feet

Solar panel



Body Material	ABS
Power Consumption	3W
Source of Light	LED
Operating Voltage	3,7V
Color Temperature	3000K~3500K
IP Class	IP65
Luminous Flux (lm)	500lm



EWL SOLAR SERIES

EWL - 04 - 4

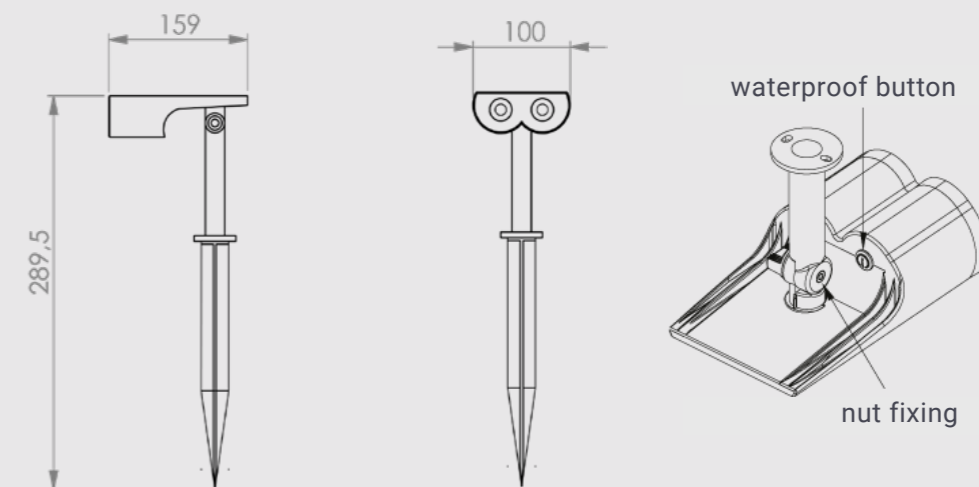


EWL-04-4 provides 10 -12 hours of uninterrupted lighting with a full charge. It can be used as wall-mounted or fixed to the ground. High Light 300 lm, Medium Light and 150 lm lighting options are available.

Wall Mount

Ground Fixing

Solar panel



Body Material	ABS
Power Consumption	1,5W
Source of Light	LED
Operating Voltage	3,7V
Color Temperature	30000K,6000K
IP Class	IP65
Luminous Flux (lm)	300 lm / 150 lm



EWL SOLAR SERIES

EWL - 04 - 5

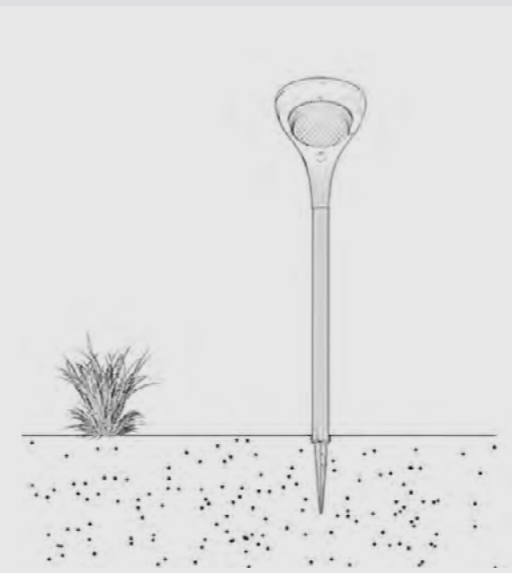
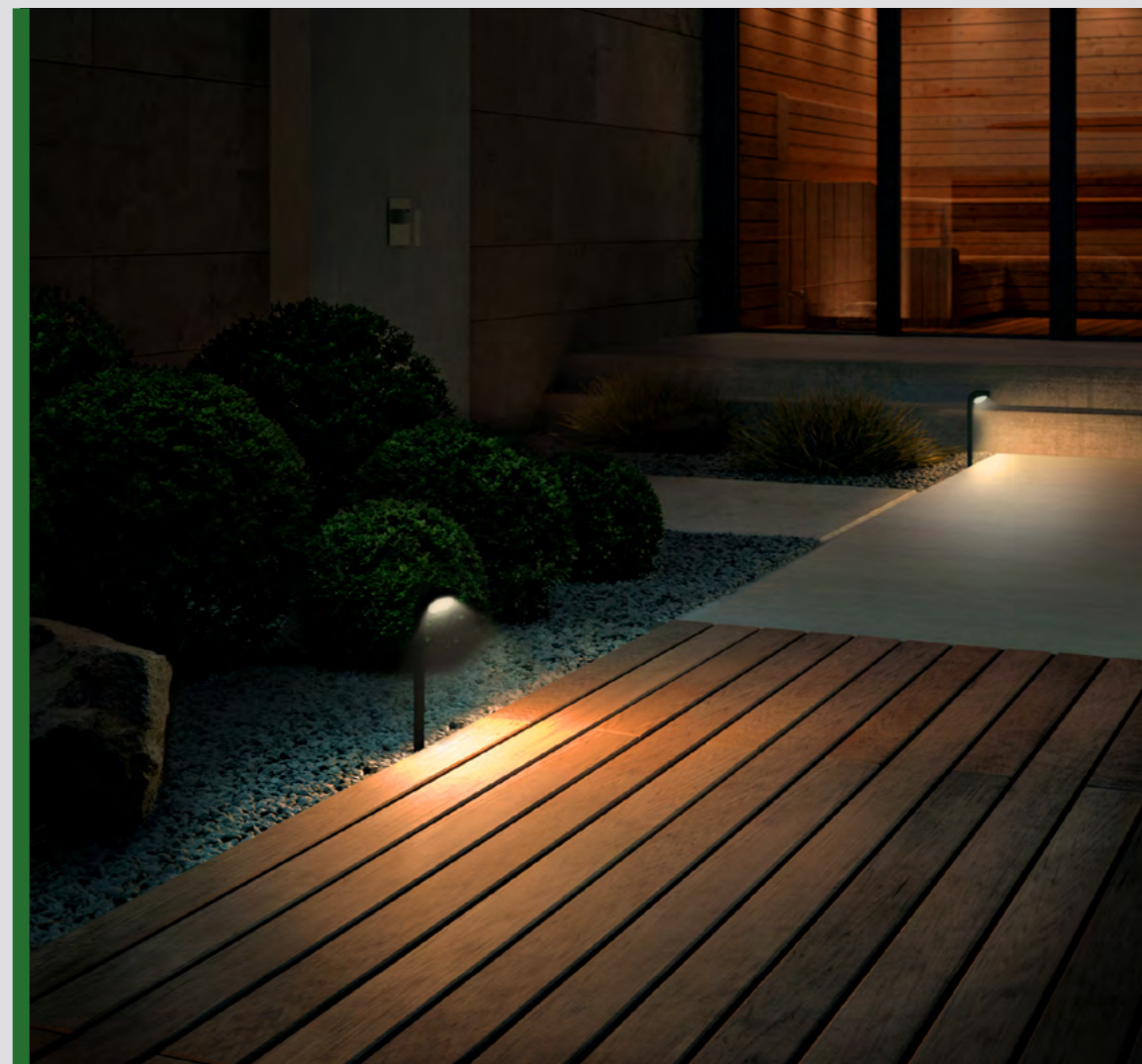


EWL-04-5 provides 10 - 12 hours of uninterrupted lighting with a full charge. It has red, green, blue, yellow, turquoise, purple, white color options. You can adjust the desired color by pressing the control button. It can be used in different lengths with pile pipes consisting of 3 sections.

Adjustable Pile

RGB LED

Solar panel



Body Material	ABS
Power Consumption	2W
Source of Light	LED
Operating Voltage	3,7V
Color Temperature	Red, Green, Blue, Yellow, Turquoise, Purple, White
IP Class	IP66
Luminous Flux (lm)	280 lm / 80 lm

Solar Lights



EWL SOLAR SERIES

EWL - 04 - 6

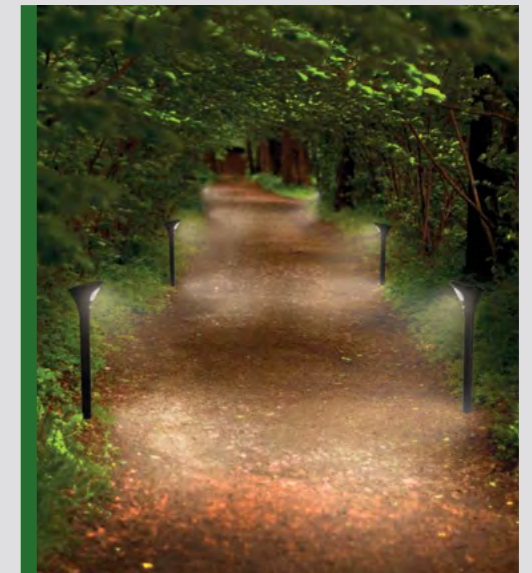
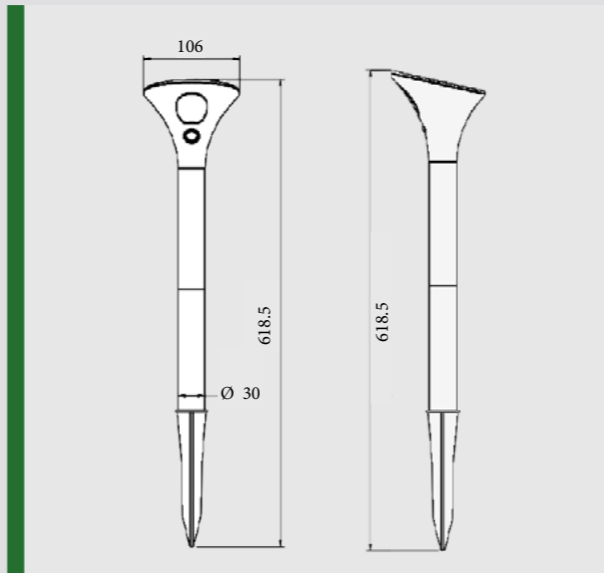


EWL-04-6 works with a motion sensor for 10-12 hours in high light mode, family high light mode when it detects motion. It can be used in different lengths with pile pipes consisting of 3 sections. It has IP65 protection class

Adjustable Body

Motion Sensor

Adjustable Pile



Body Material	ABS
Power Consumption	
Source of Light	LED
Operating Voltage	3,7V
Color Temperature	6000K
IP Class	IP65
Luminous Flux (lm)	



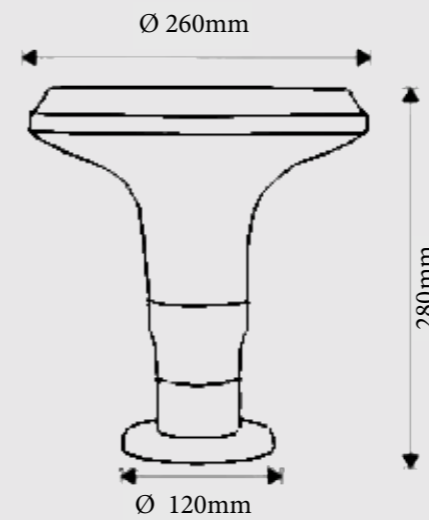
EWL SOLAR SERIES

EWL - 05 - 2



Thanks to the special panel and lithium battery on it, EWL-05-2 provides uninterrupted lighting with the energy stored in sunlight. It is designed for areas such as Park, Garden, etc. It provides uninterrupted lighting without the need for any electrical connection.

Solar Lights



LED Lighting

Solar Panel

Mounting Feet

Body Material	Injection Aluminum +PC
Power Consumption	4,5W
Source of Light	LED
Operating Voltage	3,2V
Color Temperature	3000-6000K
IP Class	IP65
Luminous Flux (lm)	



EWL SOLAR SERIES

EWL - 05

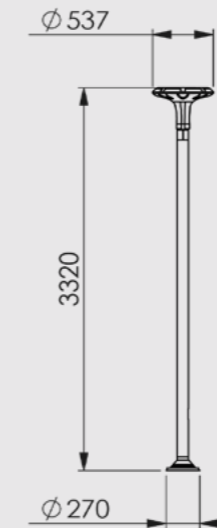


Because of the special panel and lithium battery on it, EWL-05 provides uninterrupted lighting with the energy stored in the sunlight. It is designed for areas such as Parks, Gardens. It provides uninterrupted lighting without the need for any electrical connection.

LED Lighting

Solar Panel

Mounting Feet



Body Material	Injection Aluminum +PC
Power Consumption	25W
Source of Light	LED
Operating Voltage	5V
Color Temperature	5000K
IP Class	IP65
Luminous Flux (lm)	



EWL GEKTOR SERIES

GEKTOR-24V ~ GEKTOR-220V

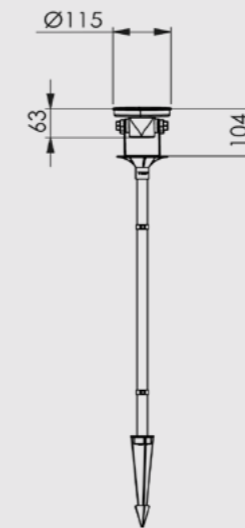


Gektor is an ideal product for garden lighting. It is very easy to install thanks to its handy set, which includes all the equipment you will need. It is light, portable, detachable and storable. Gektor is ideal for outdoors as it complies with IP67 standards. Due to the 180° movable lamp head, you can direct the light to the area you need. It offers the opportunity to be used as a projector. It provides the opportunity to store the product by simply removing the fastening rod without removing the pile from the soil.

Rotating Lamp Head

Waterproof Connector

Plugable Mounting Feet



6 different color options create differences in the atmosphere of your gardens. Owing to its elegant design, it gives a stylish look to your gardens. It offers the opportunity to be used as a projector. It provides the opportunity to store the product by simply removing the fastening rod without removing the pile from the soil. 6 different color options create differences in the atmosphere of your gardens.

Body Material	Hi-Grade Plastic
Lens Angle	H: 50° - V: 35°, 18°, 30°, 45°, 60°
Power Consumption	7W
Source of Light	LED
Operating Voltage	20 ~ 28 VDC 100 ~ 240 VAC
Color Temperature	Red, Amber, Green, Blue, 3000K, 4000K
IP Class	IP67
Luminous Flux (lm)	



Area Lighting





MINI UF LED

220V ~ 24V IP65



140 cm high tube led luminaire

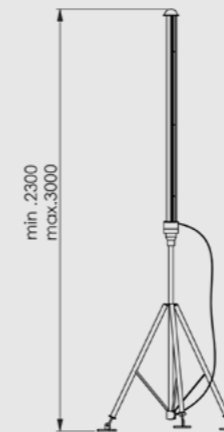
It is a portable light tower designed to meet all 360° environmental lighting requirements needed in works such as gardens, parks, construction sites, camps, service areas and search and rescue in disaster areas.

Tube LED Luminaire

Plug and Play Design

Mounting Rod

Mini UF Led offers two different options to expand your usage area. Both options are quite simple to use. It has suitable for use outdoors with 220V. Thus, you can provide illumination by plugging the Mini UF Led into the socket in your garden, camping area or picnic. You can easily use it by attaching it to your vehicle in car trips, search and rescue areas or camps.



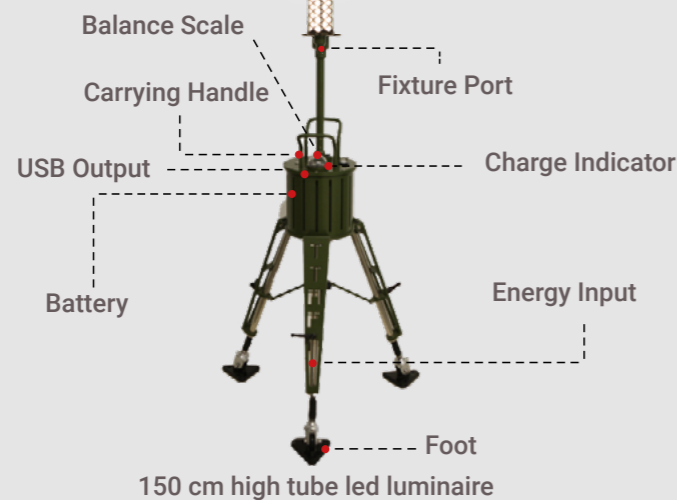
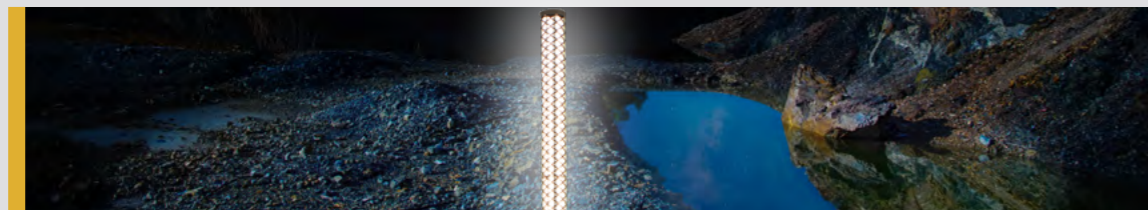
- IP65 protection against bad weather and climatic conditions.
- Plug-and-play design for practical use.
- High lighting performance with low energy consumption.
- A choice of products in different strengths.
- 12-24VDC and 200-240 VAC operating voltage option.
- Mounting bar for different floors.
- Carrying bag (optional).
- 360° lighting angle, ideal for illuminating large areas.

Body Material	Aluminum + PC
Lens Angle	360°
Power Consumption	50W, 54W, 110W,
Source of Light	Mid Power LED
Operating Voltage	12VDC / 24VDC / 200~240VAC
Color Temperature	3000 ~ 6500K
CRI	>80
IP Class	IP65
Luminous Flux (lm)	5300 lm~ 10750 lm



UF LED

216W ~ 120W IP65



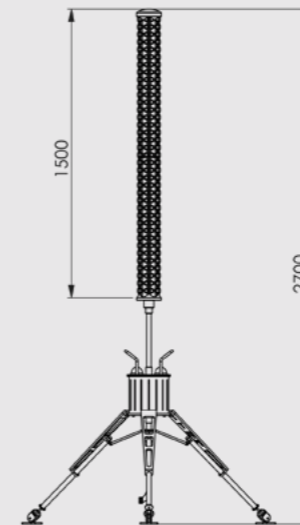
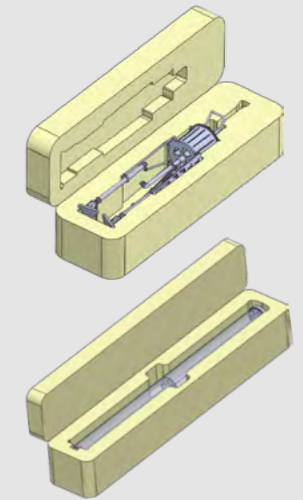
It is a portable light tower designed to meet all 360° environmental lighting requirements needed in works such as gardens, parks, construction sites, camps, service areas and search and rescue in disaster areas.

Battery Indicator

Tube LED Luminaire

Carrying Bag

Mounting Rod



- Against bad weather conditions and climatic conditions. Protection in IP65 standards.
- Plug-and-play design for practical use.
- High lighting performance with low energy consumption.
- Lithium-ion battery that provides up to 12 hours of continuous operation on a full charge.
- A choice of products in different strengths.
- 20-28VDC and 100-277 VAC operating voltage option.
- 2 USB charging outputs.
- Battery indicator.
- Mounting bar for different floors.
- Carrying bag (optional).

Body Material	Aluminum + PC
Lens Angle	360°
Power Consumption	216W / 120W
Source of Light	Mid Power LED
Operating Voltage	20~28 VDC / 100~277 VAC
Color Temperature	2200K~6500K
CRI	>80
IP Class	IP65
Luminous Flux (lm)	16800 lm ~ 21150 lm



Military Lightings





VALHALLA®

50W IP67



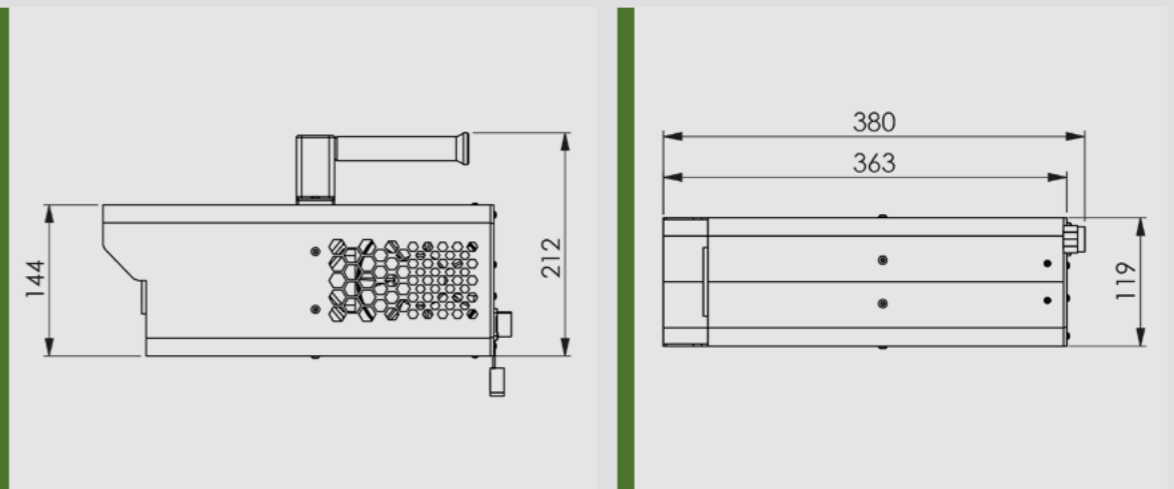
TTAF Valhalla is designed to illuminate border surveillance, coast guard, search and rescue, prisons, hunting and other long-range areas. Thanks to the special lens on it, it carries the light forward like a laser. By carrying the Li-ion battery in its backpack, it balances the weight of the product and provides a more comfortable use. It can be used for 8-10 hours with a full charge.

Carrying Bag

IP67 Connector

Aluminum Body

Military Lightings



Body Material	Aluminum
Lens Angle	
Power Consumption	50W
Source of Light	COB LED
Operating Voltage	38,4 VDC
Color Temperature	6500K
CRI	>70
IP Class	
Luminous Flux (lm)	



GOLYAT®

300W IP65

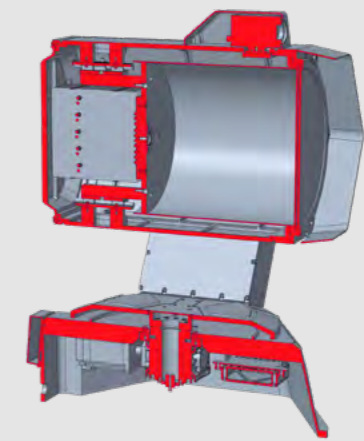
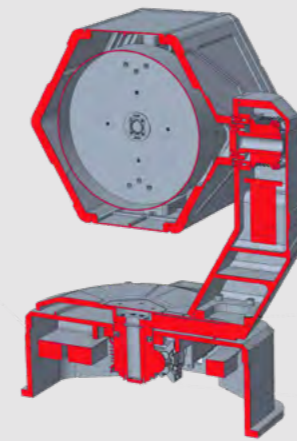


27 Lux @ 250 meters distance, ray width 31 m
 At 1.6 Lux @1000 meters, ray width 125 m
 0.4 Lux @2.000 m distance, ray width 250 m
 The projector, infinity pan and 50° tilt angle can be controlled from the joystick or the panel on the device. It is suitable for large-far area lighting such as military areas, prisons, airports, border posts, dams. Robust electromechanical structure resistant to outdoor conditions.

Control Panel

360° Pan - 50° Tilt

Aluminum Body



Body Material	Aluminum
Lens Angle	∞
Power Consumption	300W
Source of Light	
Operating Voltage	127~250VAC 50/60Hz
Color Temperature	5000K
CRI	
IP Class	IP65
Luminous Flux (lm)	





GÖKBÖRÜ®

234W ~ 400W IP65

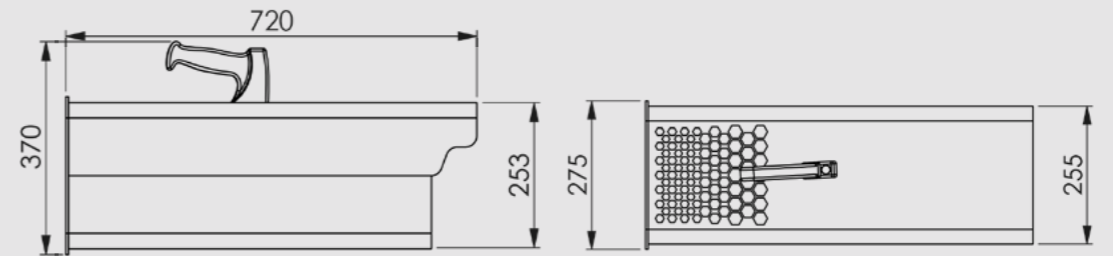


TTAF Gokbörü is designed to illuminate border surveillance, coast guard, search and rescue, prisons and other long-distance areas. Due to the special lens on it, you can illuminate 1km ahead with only 300W. The effective distance for lighting is 200m. Tripod height is max. 4m.

Opening and Closing Apparatus

Vertical Movement Mechanism

Adjustable Foot



Body Material	Aluminum
Lens Angle	4°
Power Consumption	234W ~ 400W
Source of Light	COB LED
Operating Voltage	127 ~ 250VAC
Color Temperature	8500K
CRI	>70
IP Class	IP65
Luminous Flux (lm)	15850 lm @ 335W

Military Lightings



ÖTÜKEN®

560W IP68



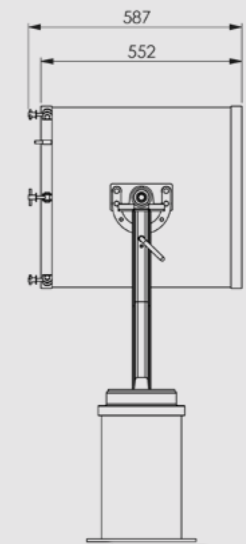
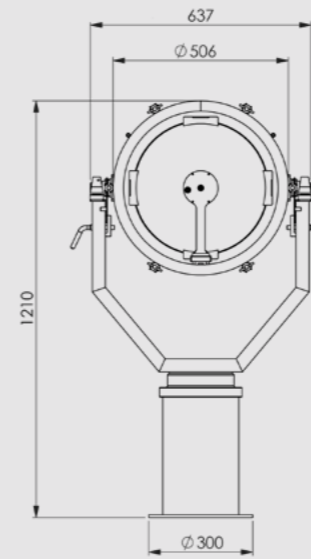
TTAF Ötüken was developed to be used in exploration activities, which are in great need in the maritime and defense industry. Light efficiency and speed are among the important factors in maritime safety efforts. Thanks to the high-power LEDs in the product, it can be used in long-range search activities. IP65 protection against bad weather and climatic conditions. it also has manual control system, liquid cooling system and high efficiency.

Liquid Cooling System

360° Movement Mechanism

Manual Control System

Military Lightings



Body Material	Galvanized Steel
Lens Angle	
Power Consumption	560W
Source of Light	Power LED
Operating Voltage	127 ~ 250VAC
Color Temperature	2200K~6500K
CRI	>70
IP Class	IP68
Luminous Flux (lm)	



Flashlights





ELF-003

4.5W IPX8

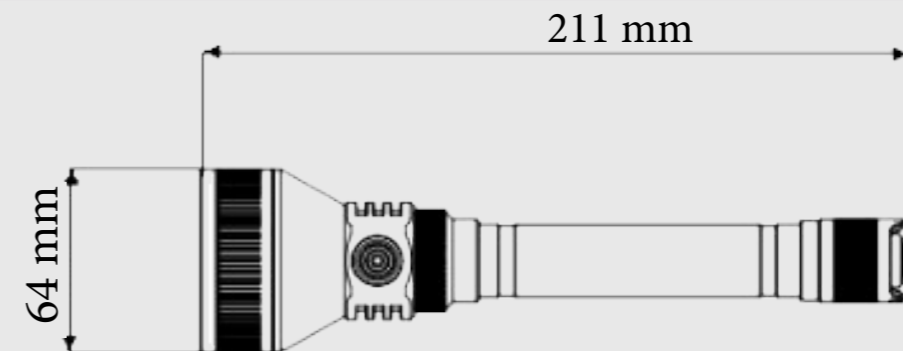


"With You in Difficult Conditions" It has a battery life of up to 68 hours in Low Mode. ELF-03 Flashlight deserves to be with you in difficult conditions with its IPX8 water resistance certificate and 2300 lumen luminous flux. In addition to these features, it will not burden you with its 240 gr weight. There are 4 different light modes: Extreme Mode, High Mode, Low Mode, Flash Mode.

Carrying Case

Waterproof Certificate

Adjustable Light Mode



Body Material	6061-T6 Aluminum
Lens Angle	54°
Power Consumption	4,5W
Source of Light	Cree XHP35 HI LED
Operating Voltage	7,2V DC
Color Temperature	
CRI	>70
IP Class	IPX8
Luminous Flux (lm)	2300lm



ELF-004

20W IPX8

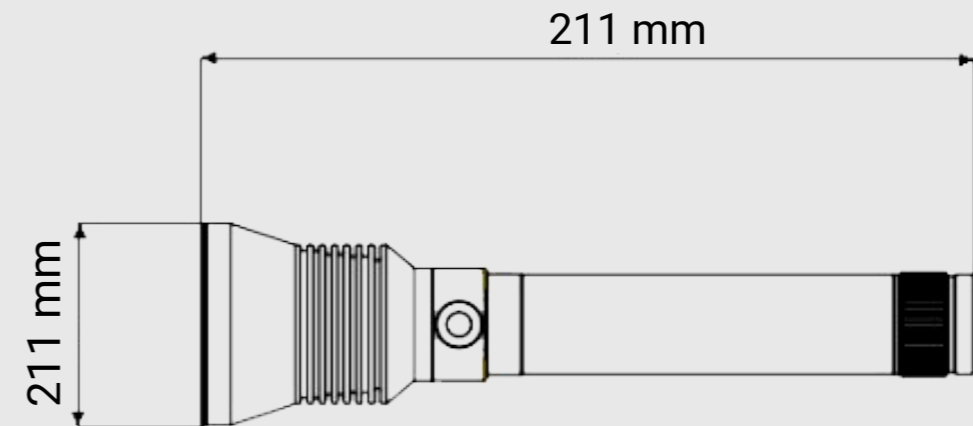


Underwater Diving Flashlight is water resistant up to 70 meters. ELF-04 Diving Flashlight has high lighting performance with its 3200 lumen luminous flux. ELF-04 with a charging time of 6-8 hours is an ideal underwater diving flashlight for difficult conditions. There are 4 different light modes. Extreme Mode, High Mode, Low Mode, Flash Mode

Carrying Apparatus

IPX8 Waterproof Certification

Adjustable Light Mode



Body Material	6061-T6 Aluminum
Lens Angle	45°
Power Consumption	20W
Source of Light	Cree XHP70 LED
Operating Voltage	7,2 VDC
Color Temperature	
CRI	>70
IP Class	IPX8
Luminous Flux (lm)	

Flashlights



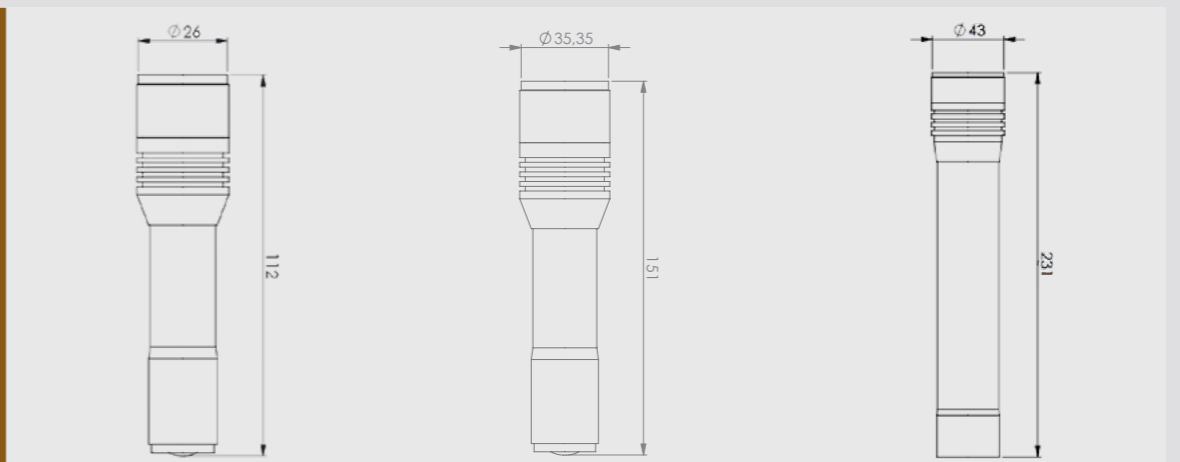
ELF-05-1,2,3

1.5W IP 66



ELF05-1 is an easy-to-carry and high-range flashlight made by TTAF engineers. It has a very robust body to adapt to all kinds of harsh environmental and climatic conditions. The ELF05-1 has 3 different operating modes: High light mode, low light mode and strobe mode. It can be used for very wide and narrow area lighting with adjustable lens angle. It has a high battery life. It works with one AA battery.

- 3 Different Light
- Aluminum Body
- Adjustable Head



	ELF-05-1	ELF-05-2	ELF-05-3
Body Material	Aluminum Alloy	Aluminum Alloy	Aluminum Alloy
Lens Angle	8°~65°(Adjustable)	8°~65°(Adjustable)	8°~65°(Adjustable)
Power Consumption	1,5W	10W	3W
Source of Light	XPE LED	T6 LED	XPE LED
Operating Voltage	1,5V DC	4,5 V DC	3 VDC
Color Temperature			
CRI	>70		>70
IP Class		IP44	IP54
Luminous Flux (lm)	85lm	320lm	150 lm

Flashlights



ELF-07

10W IP65

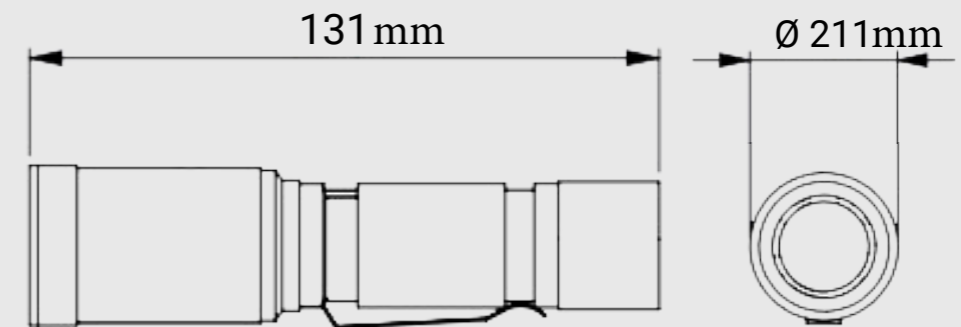


The ELF-07 flashlight offers high performance with a luminous flux of 1000 lumens. In addition to its zoom feature, the fact that it can be charged with a USB cable eliminates the problem of being out of charge. It has 3 different light modes: High Mode | Low Mode | Flash Mode. It works with 1 Li-ion 18650 battery.

Carrying Apparatus

Aluminum Body

Adjustable Head



Body Material	Aluminum Alloy
Lens Angle	10° ~ 65° (Adjustable)
Power Consumption	10W
Source of Light	Cree Led
Operating Voltage	3,6V DC
Color Temperature	
CRI	>70
IP Class	IP65
Luminous Flux (lm)	1000lm

Flashlights



ELF - 08

3.6W IP 65

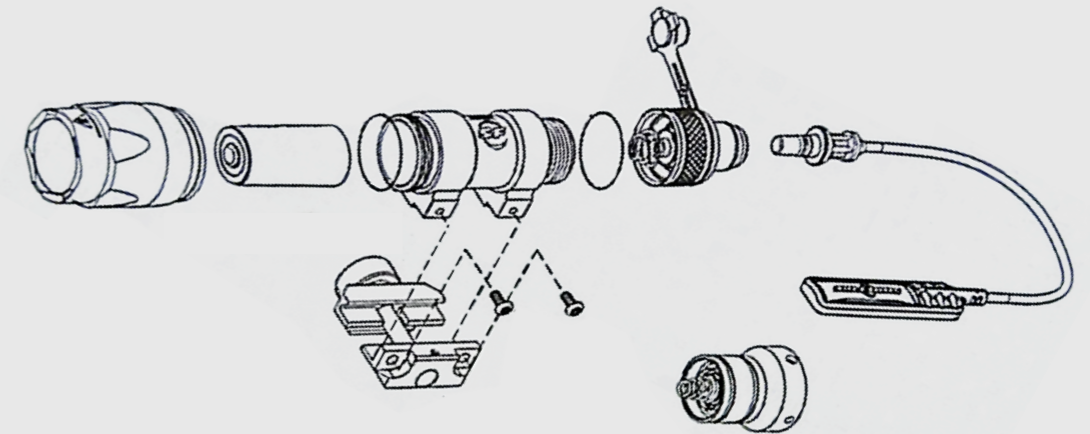


The ELF-08 gun-mounted flashlight draws attention with its quality and durable body material. With its replaceable parts, it can be used on the gun or in your hand. By sticking the external opening and closing mechanism on the weapon you want, you can provide the most suitable use for you.

Carrying Apparatus

Gun Mounting Apparatus

Trigger Mechanism



Body Material	Aluminum Alloy
Lens Angle	60°
Power Consumption	3,6 W
Source of Light	Cree Q5 LED
Operating Voltage	6 V DC
Color Temperature	
CRI	>70
IP Class	IP65
Luminous Flux (lm)	350lm



ELF-09

4W IPX8

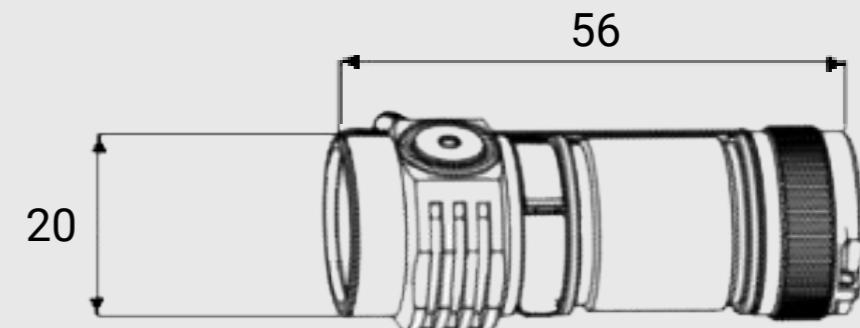


ELF-09 has high lighting performance despite its small size. You can charge it very easily with its magnetic charging feature. In addition, with the magnetic field on the back, you can hold onto any metal surface and make your work easier. There are 4 different light modes: Low Mode | Medium Mode | High Mode | Flash Mode. It works with 1 123A battery.

Carrying Apparatus

Magnet

4 Different Light Modes



Body Material	Aluminum Alloy
Lens Angle	80°
Power Consumption	4W
Source of Light	Cree XP-L HI LED
Operating Voltage	3,6 V DC
Color Temperature	
CRI	>70
IP Class	IPX8
Luminous Flux (lm)	1000lm

Flashlights



ELF - 10

2W IPX 8

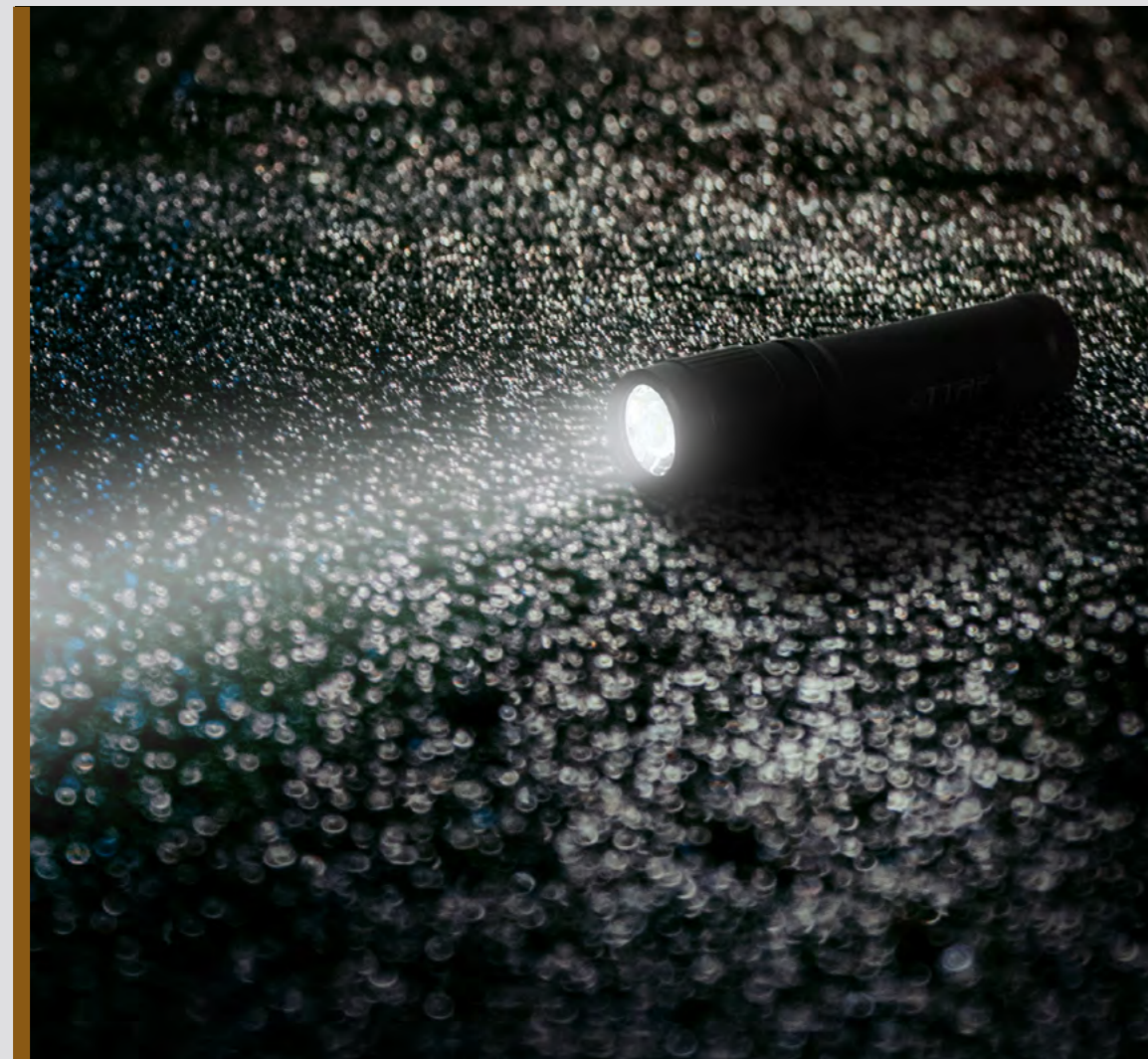


ELF-10 weighs 9gr. It can be used with key chains thanks to the hanging bracket on the back. It has a light value of 350 lm. It works with 1 AAA battery.

Carrying Apparatus

350lm

Roll Open Head



Body Material	Aluminum Alloy
Lens Angle	16°
Power Consumption	2W
Source of Light	CA-18-3X LED
Operating Voltage	3,6 V DC
Color Temperature	
CRI	>70
IP Class	IPX8
Luminous Flux (lm)	350lm



ELF - 14

20W | P 6 5

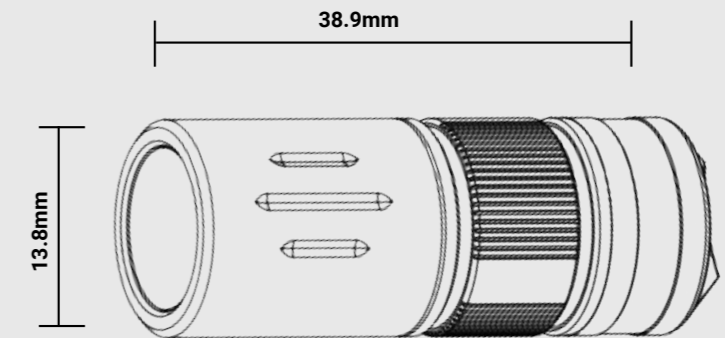


Remove the plate before use. Quality lens emitting soft and balanced light is used. ELF-14 has a light and stylish design. It works with 10180 li-ion battery. It can be charged via micro-USB. It has reverse current protection. The product case is made of aluminum alloy.

Micro USB Charger

Translate Open Title

Aluminum Body



Body Material	Plastic-Aluminum
Lens Angle	75°
Power Consumption	20W
Source of Light	COB LED
Operating Voltage	4,5-7,2 VDC
Color Temperature	
CRI	>70
IP Class	IP65
Luminous Flux (lm)	1000 lm

Flashlights



Others





MALEFİZ®

Max.5x25W | P 6 5



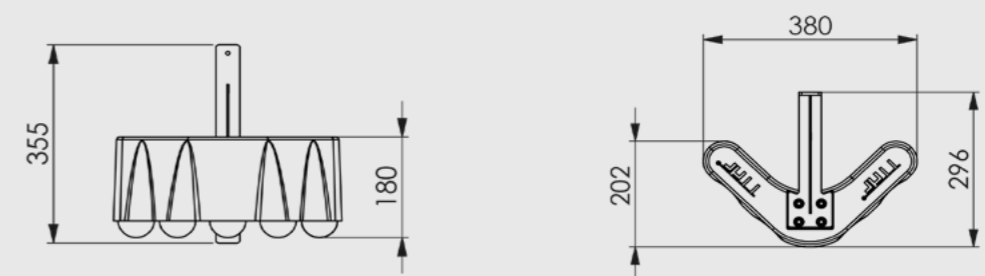
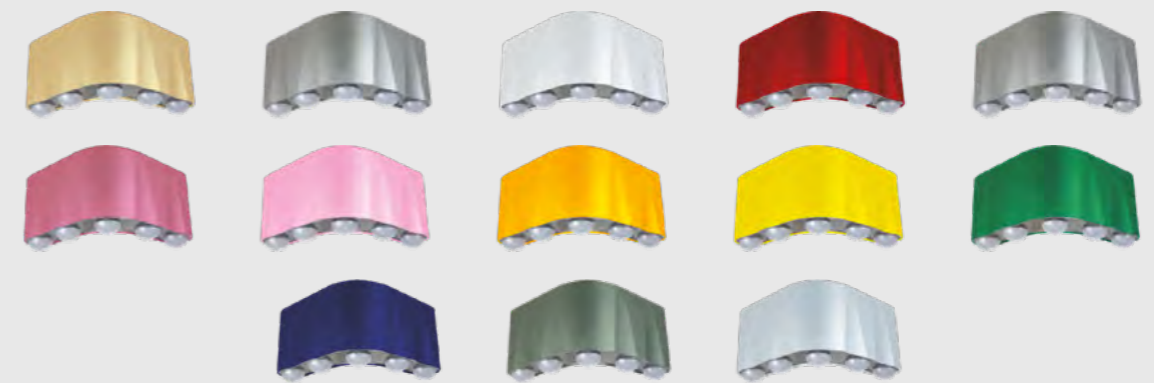
MALEFİZ's practical and stylish lines are designed to meet all indoor and outdoor lighting needs. Maleficient is illuminated by the unlimited color range of its plastic body.

5 Lights in 1 Chassis

Modular Design

UV Protected ABS

Unlimited colors can be applied on Maleficient according to user preference.



Body Material	UV Protected ABS
Impact Resistance	IK08
Power Consumption	Max. 5x25W
Source of Light	E27 Lightbulb
Operating Voltage	250 VAC
Operating Ambient Temperature	-40°C~+55°C
Dimensions	380 x 150 x 201mm
IP Class	IP65 (With Lamps Attached)
Weight	0.9 kg

Others



MODULAR BULB CHAIN

IP 67 12V ~ 24V

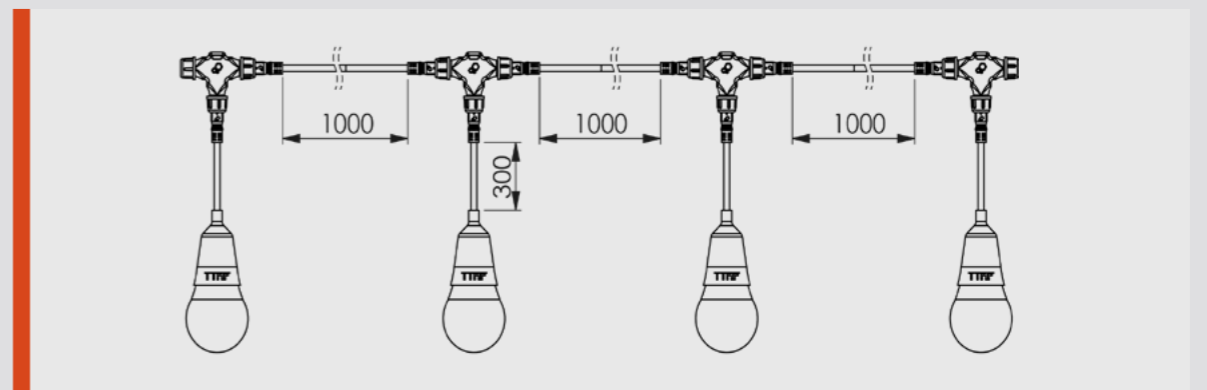


This LED lamp set is water resistant thanks to its IP67 protection certification and is a great option for both indoor and outdoor environments. It offers an easy and quick installation and there are 5 LED bulbs in the set. In addition, up to 10 sets can be operated from a single line and extension of lamps is also possible. The product has 12VDC - 24VDC or 220VAC options.

Waterproof Connector

Car Lighter Socket

Interconnect Cable



Body Material	3,6W
Operating Voltage	220V, 12V, 24V
Color Temperature	2700K ~6000K
CRI	RA>80
IP Class	IP67
Luminous Flux (lm)	325lm, 365lm~580lm

Others



MODULAR BULB CHAIN

IP 67 12V ~ 24V



This LED lamp set also provides an advantage with its energy-saving long-life LED bulbs. The product offers an excellent option for indoor and outdoor environments and is very practical to use. The dimensions of the product and the length of the cables can be adjusted at will, thus providing a solution that is exactly suitable for the user's needs.



This LED lamp set is a product that draws attention with its modern and stylish design. It provides an excellent option for use in both indoor and outdoor environments. It is water resistant owing to its IP67 protection certificate. In addition, socket and interconnection cables of desired size can be produced. Due to these features, the product can be designed completely in accordance with the needs of the user.

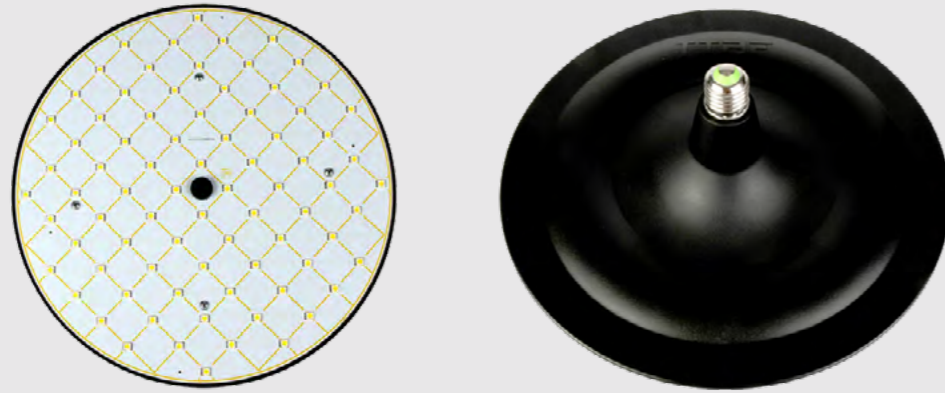


Others



ANTI-FLY LAMP

6W 3000lm

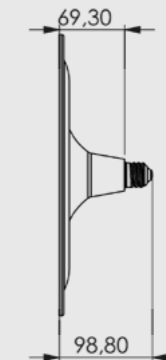
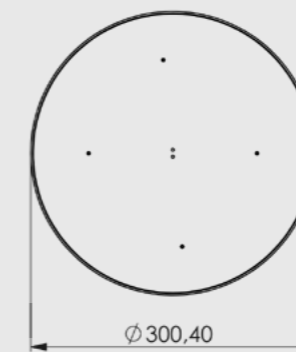


TTAF ANTI- FLY LAMP, which is used to get rid of mosquitoes quickly and safely without harming any living thing, without using sprays that can damage the ozone layer and chemicals that will endanger living things. The mosquito repellent lamp is especially ideal for areas where chemicals cannot be used. With the TTAF ANTI- FLY LAMP, you can spend a mosquito-free summer in your home, office or summer house. It should be at a maximum height of 2m from the table. Take care not to come into contact with water outdoors. TTAF ANTI- FLY LAMP, which can be used both indoors and outdoors thanks to its easy use and compact design, operate with 220V voltage. For use, it will be sufficient to attach the lamp to your socket

5 Lights in 1 Chassis

Modular Design

UV Protected ABS



Body Material	ABS
Lens Angel	
Power Consumption	6W
Source of Light	Mid Power LED
Operating Voltage	200 - 240 VAC / 90 ~ 120 VAC
Color Temperature	3000K
CRI	>70
IP Class	
Luminous Flux (lm)	

Others

