



TTAF[®]

SOLAR
SOLUTIONS

| 2023 v1



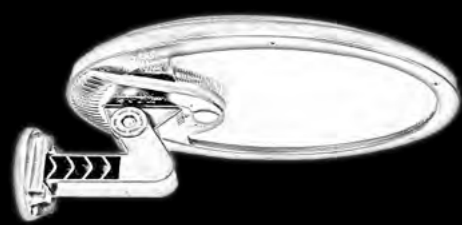
TODAY, TOMORROW AND FOREVER...

SOLAR LIGHTS

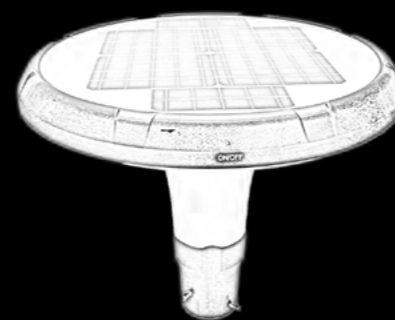
Work In Harmony With Nature,

As more people become aware of the environmental impacts of the climate crisis and strive to reduce their carbon footprint, the use of solar lamps is becoming increasingly popular. Solar lamps offer many advantages, including ease of installation, energy savings, environmental friendliness, and long life. They are suitable for most areas as they are designed to withstand extreme heat or heavy rain.

Solar lamps are designed to harness solar energy during the day and convert this energy into light at night without any external power source. They do not produce any emissions or require any non-renewable resources to operate. Solar lamps are sustainable lighting solutions that can help reduce carbon emissions and protect the environment.



01 / EWL-04-2



05 / EWL-05



02 / EWL-04-4



06 / EWL-05-2



03 / EWL-04-5



07 / GEKTOR

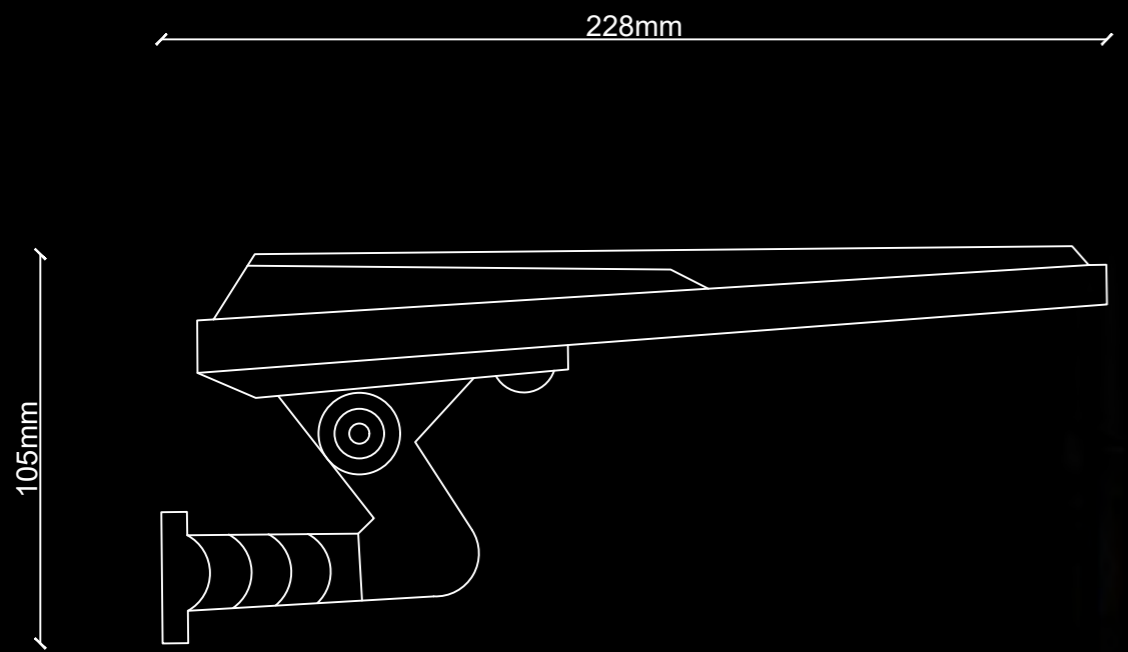


04 / EWL-04-6



EWL-04-2

EWL-04-2 stands out with its ability to provide uninterrupted lighting for 5 days. It is charged in 7-9 hours with USB except solar energy. In addition, EWL-04-2 is water resistant with IP65 certification. EWL-04-2 motion sensor switches from low light to high light when it detects motion, thus providing longer-lasting illumination. The size can be adjusted as desired. EWL-04-2 is an ideal option to meet non-electric outdoor lighting needs and can be used for years without any problems thanks to its quality construction.



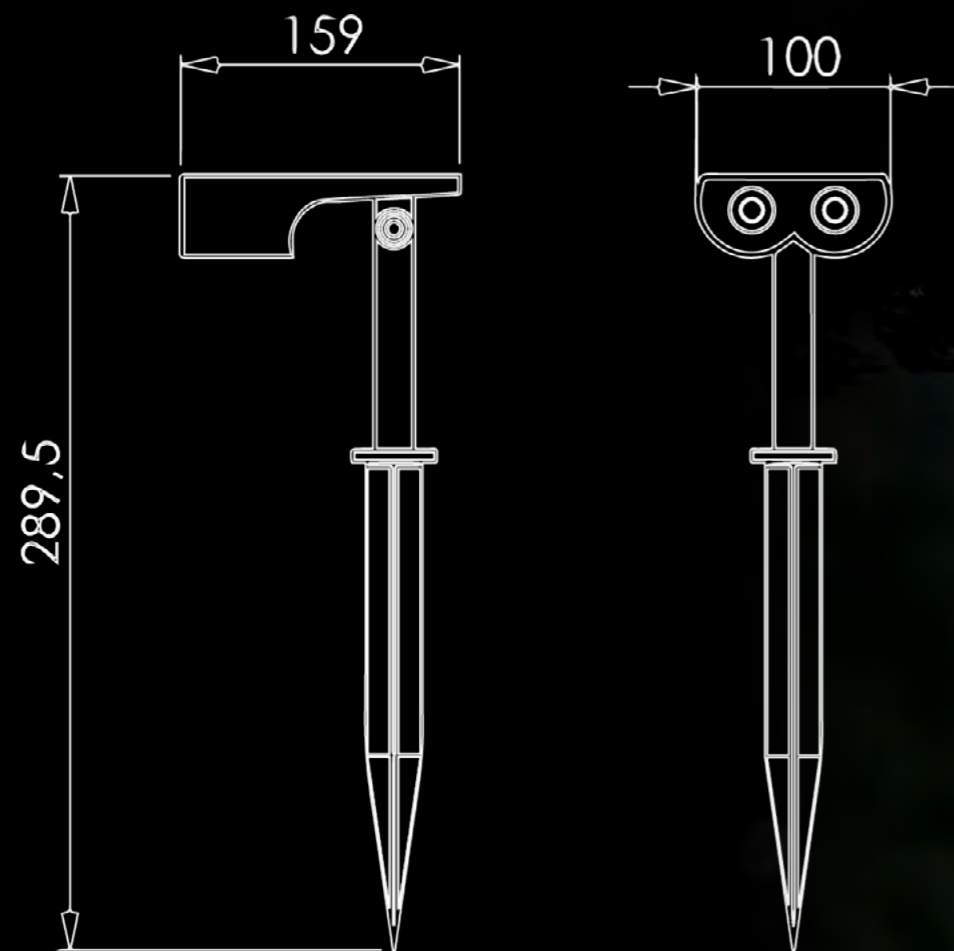
Body Material	ABS
Power Consumption	3W
Source of Light	LED
Operating Voltage	3,7V
Color Temperature	3000K~3500K
IP Class	IP65
Luminous Flux (lm)	500lm



EWL-04-4

EWL-04-4 provides 10-12 hours of continuous lighting on a full charge. 300 lm high light and 150 lm medium light illumination options are available. It can be both mounted on the wall and fixed on the ground, thus offering different usage variations depending on the place it is located. Thanks to its solar panel operation, it is an environmentally friendly, sustainable solution and reduces electricity consumption.





Body Material	ABS
Power Consumption	1,5W
Source of Light	LED
Operating Voltage	3,7V
Color Temperature	30000K,6000K
IP Class	IP65
Luminous Flux (lm)	300 lm / 150 lm



EWL-04-5

EWL-04-05 can work continuously for 10-12 hours when fully charged and can be easily used while camping or in the garden. With a single control button, red, green, blue, yellow, turquoise, purple and white color options can be adjusted. Pole pipes consisting of 3 separate sections. It can be adjusted to the desired size. It is water and dust resistant with IP 66 protection.

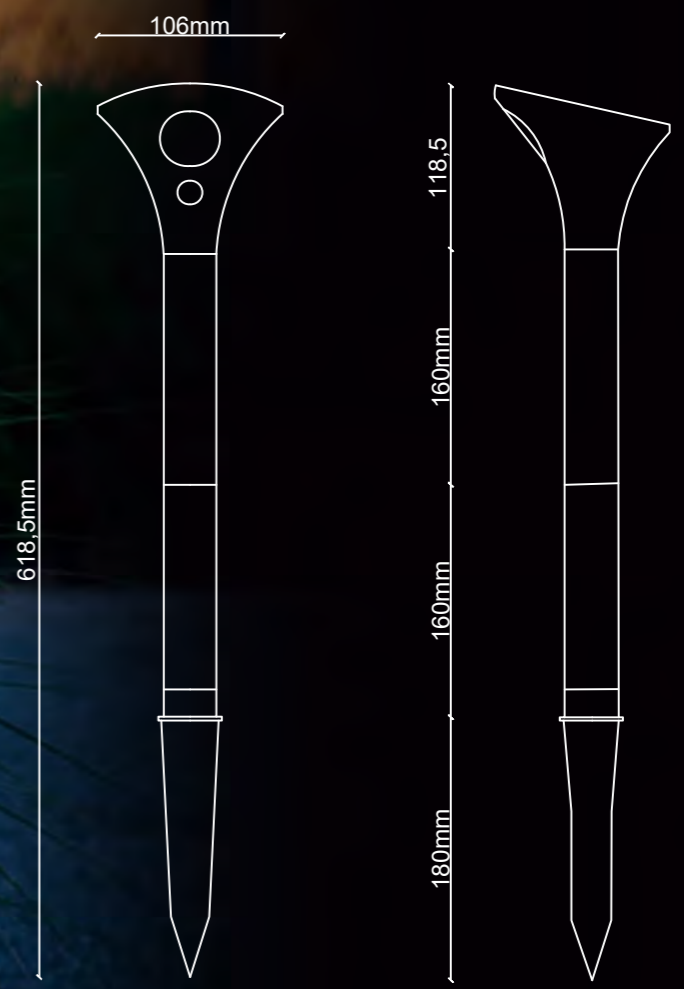


Body Material	ABS
Power Consumption	2W
Source of Light	LED
Operating Voltage	3,7V
Color Temperature	Red, Green, Blue, Yellow, Turquoise, Purple, White
IP Class	IP66
Luminous Flux (lm)	280 lm / 80 lm



EWL-04-6

EWL-04-6 saves energy when not in use thanks to its motion-detecting sensor and can work in high light mode for 10-12 hours. Due to the pole pipes consisting of three sections for use in different lengths, its length can be adjusted as desired. Since it has an IP65 protection class, it is resistant to environmental factors such as water and dust.

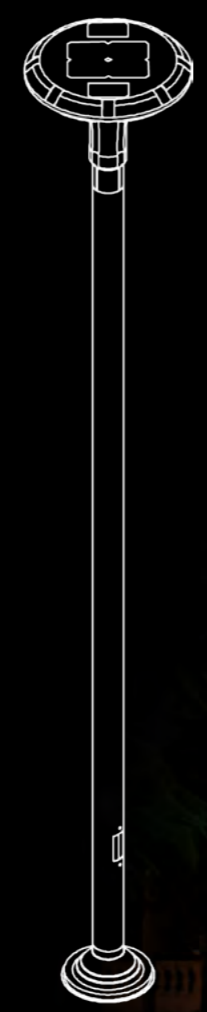
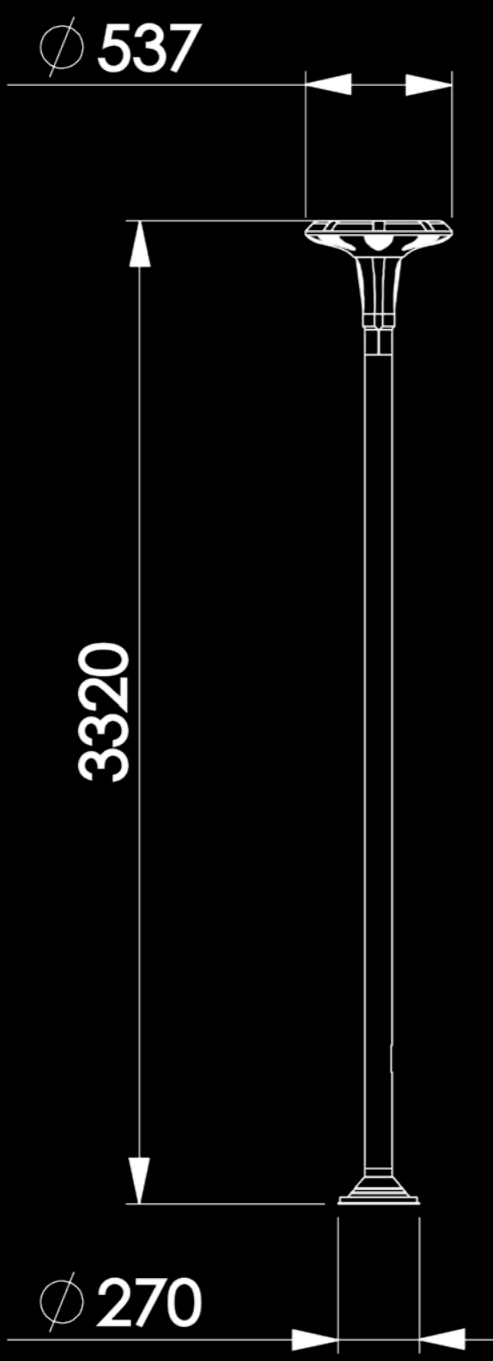


Body Material	ABS
Source of Light	LED
Operating Voltage	3,7V
Color Temperature	6000K
IP Class	IP65



EWL-05

Owing to its special panel and lithium battery, EWL-05 provides uninterrupted lighting with the energy it stores from solar energy, and is extremely suitable for use in large open-air areas such as parks and gardens. At night, it provides as much illumination as a normal electric street lamp. Since it does not require an electrical connection, it can be easily installed and allows you to save energy. Designed both aesthetically and practically, this product offers a reliable solution with IP65 certification.



Body Material	Injection Aluminum +PC
Power Consumption	25W
Source of Light	LED
Operating Voltage	5V
Color Temperature	5000K
IP Class	IP65





EWL-05-2

EWL-05-2 is a solar lighting solution that stores sunlight thanks to its special panel and lithium battery and does not require a grid connection. EWL-05-2 provides high quality lighting with LED technology. It is a user-friendly lighting with ease of installation and use. It has the features of the EWL-05 but is small in size. It is used safely with IP65 certificate for open areas such as parks and gardens.

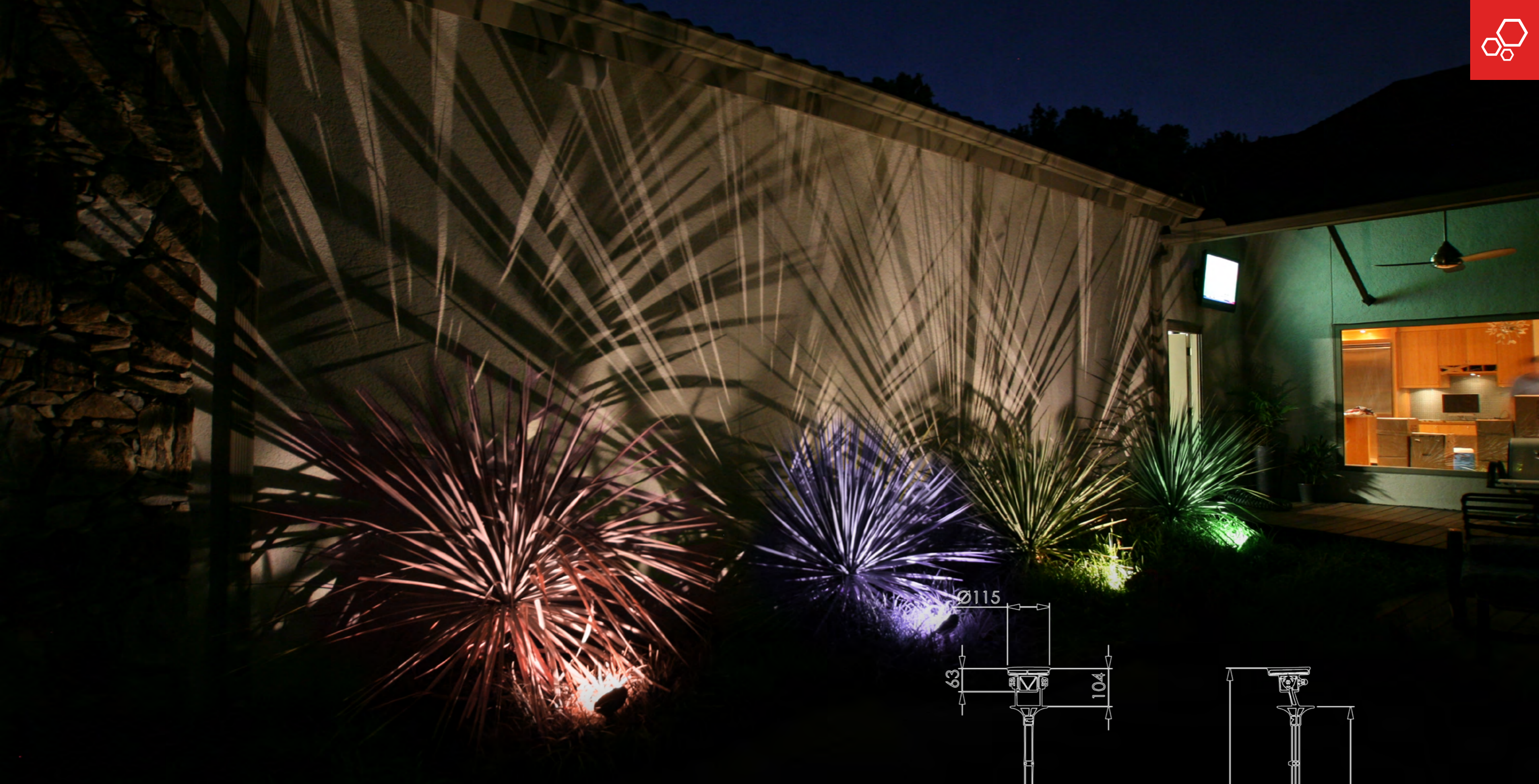


Body Material	Injection Aluminum +PC
Power Consumption	4,5W
Source of Light	LED
Operating Voltage	3,2V
Color Temperature	3000-6000K
IP Class	IP65

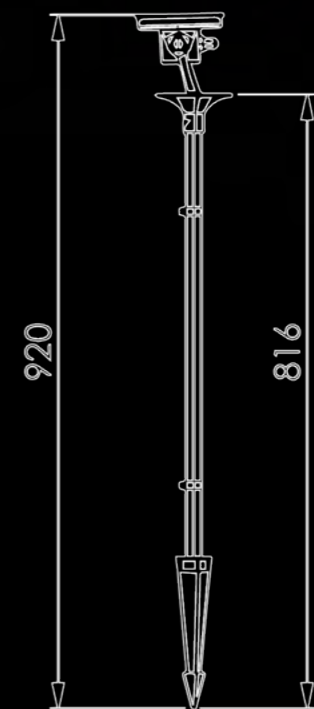
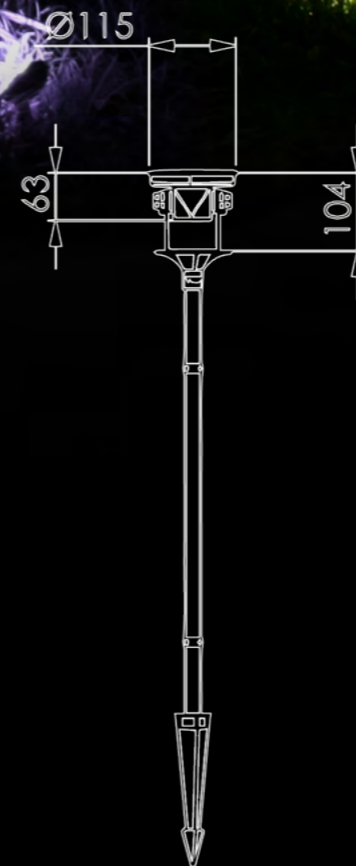


EWL-GEKTOR

EWL-GEKTOR is a reliable solution with IP67 class protection for open areas such as parks, gardens, walkways, etc. Thanks to its special solar panel and lithium battery, it provides uninterrupted lighting for a long time by storing solar energy. Due to the color options, open areas can be shaped according to demand. EWL-GEKTOR provides low energy consumption while showing high performance with LED lighting technology. The mounting foot can be inserted into the ground, making the installation process easier. Being an environmentally friendly option, this product offers a sustainable lighting solution without harming the nature.



Body Material	High-Grade Plastic
Lens Angle	H: 50° - V: 35° , 18° , 30° , 45° , 60°
Power Consumption	7W
Source of Light	LED
Operating Voltage	20 ~ 28 VDC 100 ~ 240 VAC
Color Temperature	Red, Amber, Green, Blue, 3000K, 4000K
IP Class	IP67
Luminous Flux (lm)	



TODAY, TOMORROW
AND
FOREVER...

